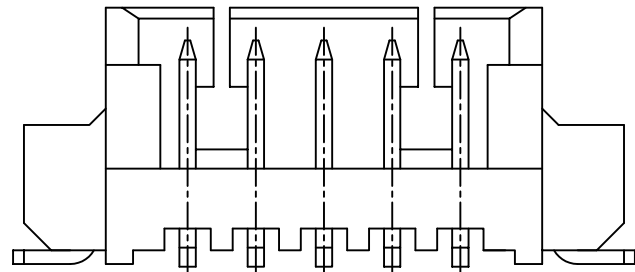
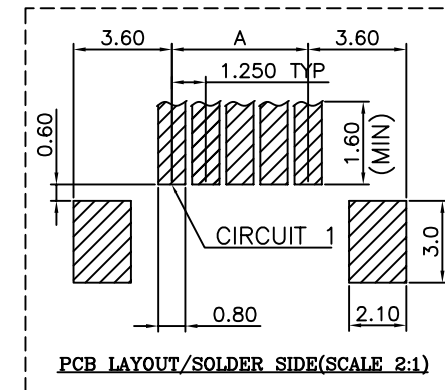
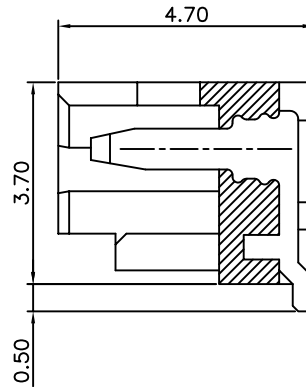
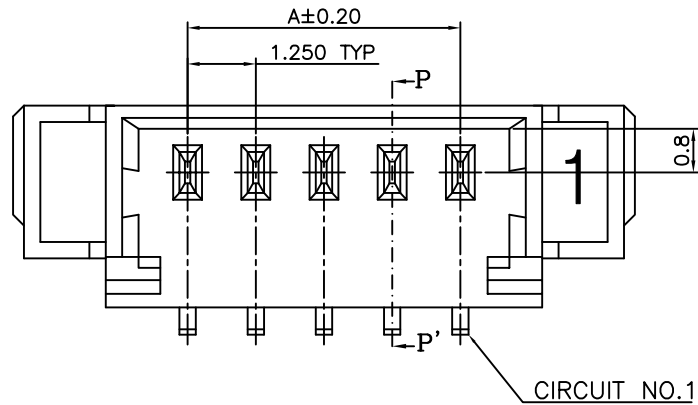


NOTES:

- * MATERIALS :
 BODY: PA 9T 94V-0, NATURE
 CONTACT: PHOSPHOR BRONZE
 PEG: PHOSPHOR BRONZE, MATTE TIN-PLATED
- * ACCEPT HOUSING : 1250S SERIES HOUSING
- * SIZES : 2 TO 15 CIRCUITS

DIMENSIONS:

CIRCUITS	DIM A	DIM B
2	1.25	7.25
3	2.50	8.50
4	3.75	9.75
5	5.00	11.00
6	6.25	12.25
7	7.50	13.50
8	8.75	14.75
9	10.00	16.00
10	11.25	17.25
11	12.50	18.50
12	13.75	19.75
13	15.00	21.00
14	16.25	22.25
15	17.50	23.50



RoHS Compliant

TOLERANCES ARE

MORETHANALL
 PCB CONNECTORS
 Cable ASSEMBLIES

DRAWING BY CY

X. ± 0.50

CHECKED BY GENIUS

.X ± 0.25

UNIT / mm

SCALE 1 : 1

.XXX ± 0.12

DATE

ANG ± 3°

SIZE A4

P PROJECTION

照片框

ORDER INFORMATION

FH-VR-xx-LF
 SERIES | LEADFREE
 | 02-15WAY
 REEL
 180°SMT

煜倫股份有限公司

www.morethanall.com

DESCRIPTION: 1.25mm PITCH SMT HEADER 180°

