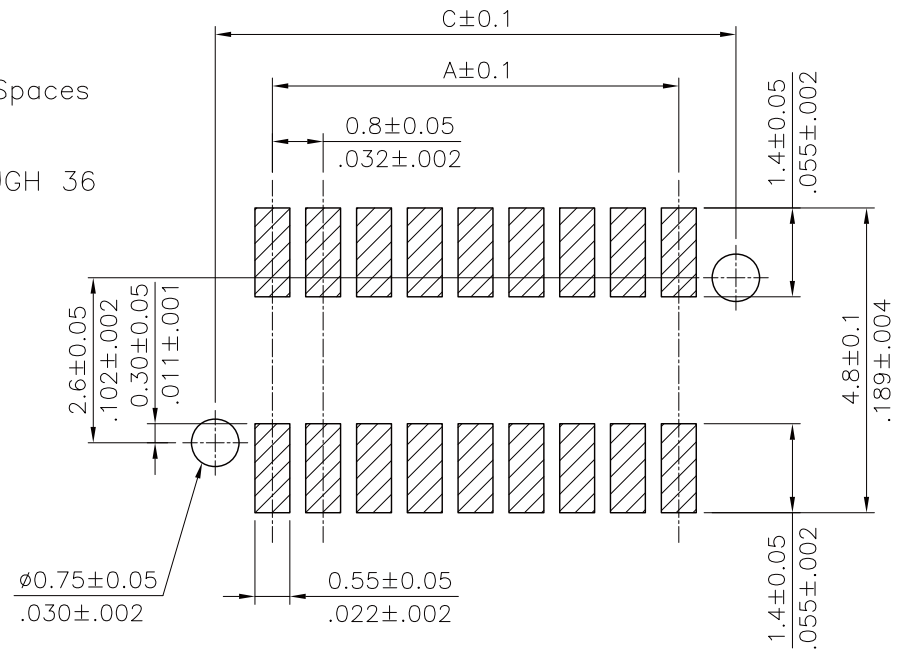
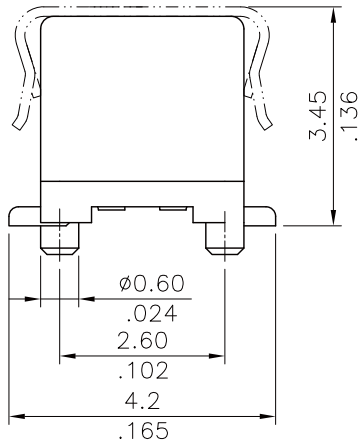
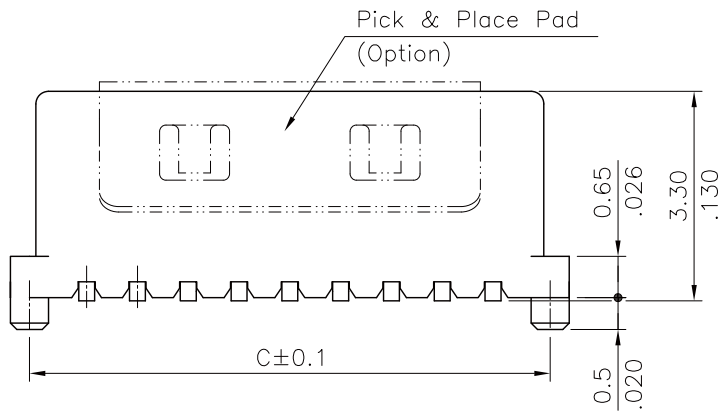


Material:

- * Housing :NYLON 6T WITH 30% GF. UL 94V-0 Color Black
- * Contact: Phosphor Bronze
- * Pick & Place Pad: Phosphor Bronze

DIM A = 0.8 X No. of Spaces
 DIM B = DIM A + 2.4
 DIM C = DIM A + 1.8
 * AVAILABLE IN 6 THROUGH 36
 CIRCUITS



Recommended P.C. Board Layout

RoHS Compliant

TOLERANCES ARE



DRAWING BY CY
 CHECKED BY GENIUS
 UNIT / mm SCALE 1 : 1
 DATE

X.±
 .X±
 .XX±
 .XXX±
 ANG±

照片框

ORDER INFORMATION

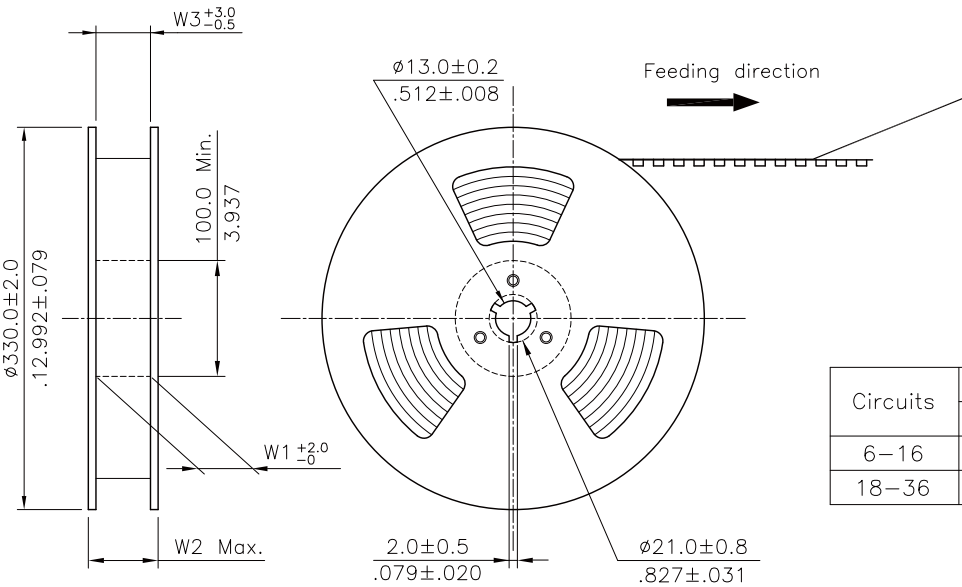
F85-VPCR-xx-LF
 SERIES REEL LEADFREE
 06-36 WAY
 CAP POST
 90°SMT

煜倫股份有限公司

www.morethanall.com

SIZE A4 PPROJECTION

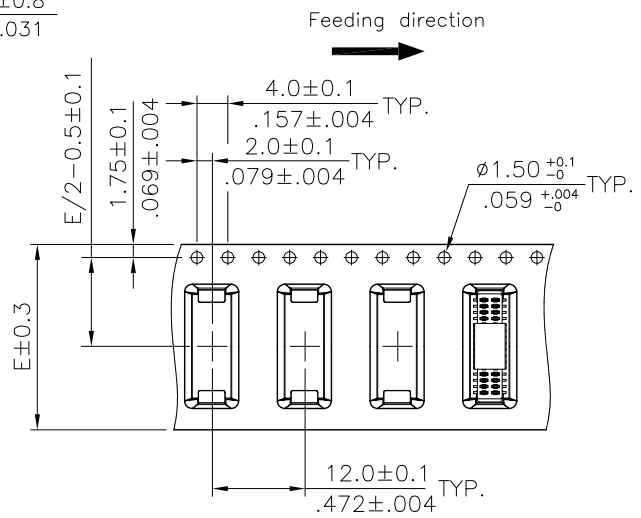
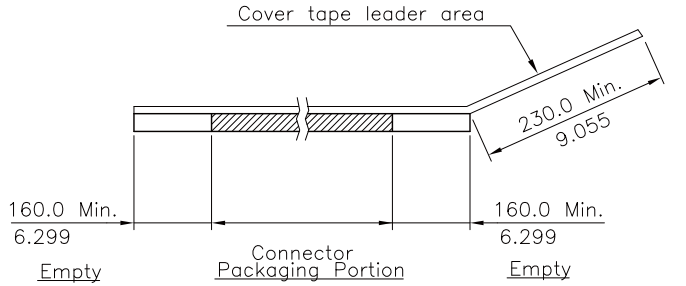
DESCRIPTION:



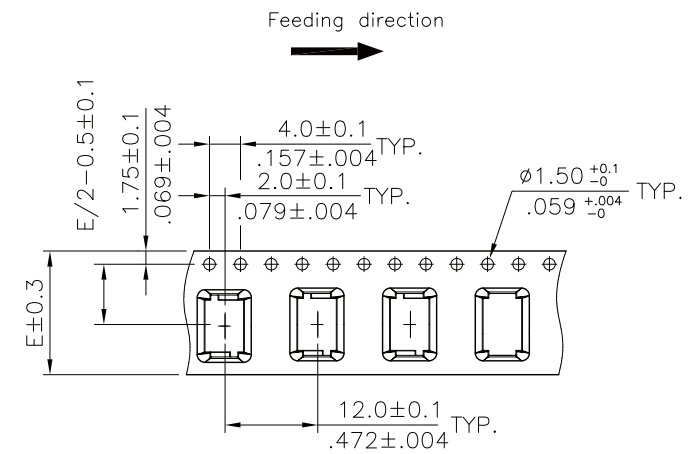
NOTE :

- * Reel Material : HIPS
- * Carrier Material : Black, Conductive Polystyrene Alloy
- * Cover Tape Material : Polyester
- * Cover Tape Peel Strength : 0.1N – 1.3N
- * Carrier camber is within 1mm in 100mm
- * All dimensions meet EIA-481-B requirements.
- * Quantity : 1000 PCS/Reel

Circuits	Dimension					Packing (Reel/Caton)
	E	F	W1	W2	W3	
6-16	16.0(.630)	-	16.5(.650)	22.5(.886)	16.5(.650)	11
18-36	24.0(.945)	-	24.5(.965)	30.5(1.200)	24.5(.965)	9



WIDTH : 32.44 mm Carrier



WIDTH : 16 mm Carrier

RoHS Compliant

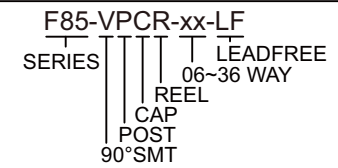
TOLERANCES ARE

MORETHANALL
PCB CONNECTORS
Cable ASSEMBLIES
煜倫股份有限公司
www.morethanall.com

DRAWING BY CY		X. ± .X ± .XX ± .XXX ± ANG ±
CHECKED BY GENIUS		
UNIT / mm	SCALE 1 : 1	
DATE		
SIZE A4	PJECTION	



ORDER INFORMATION



DESCRIPTION: