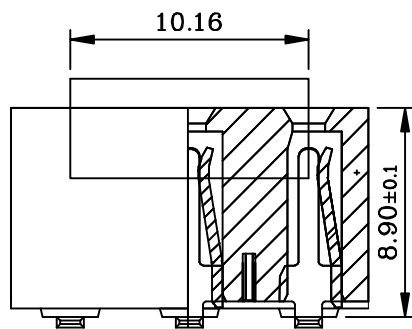
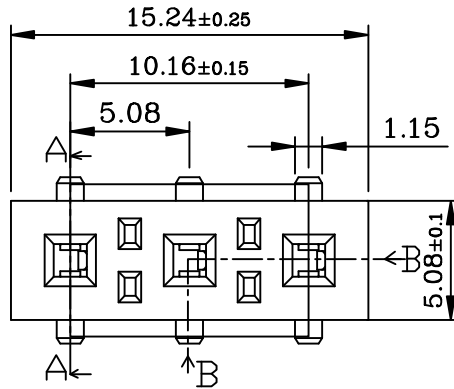
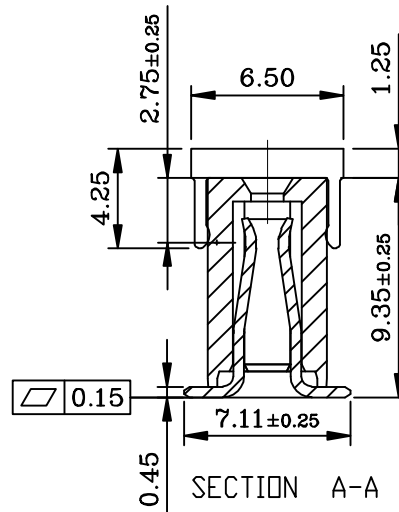


5.08Ph Power Female Headers SMT Type Technical Data:

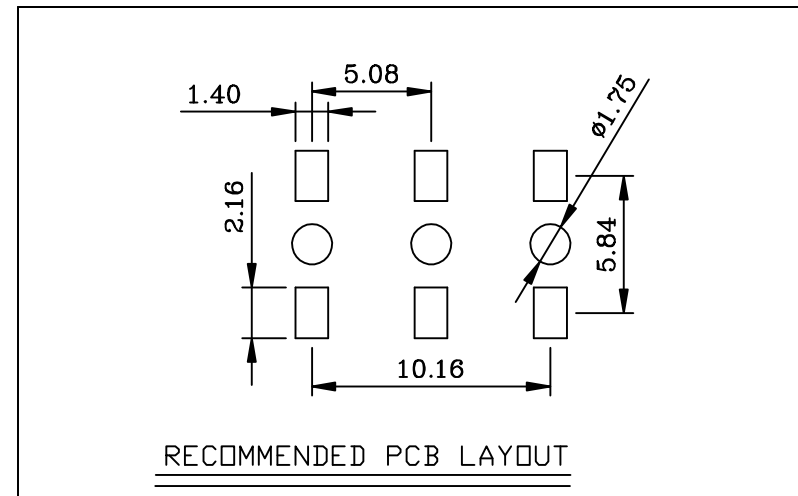
Insulator Material: LCP E130i UL 94V-0,COLOR:BLACK
 Contact: stamped and formed,Phosphor Bronze
 Plating: Tin plated
 Current Rating: 8.2Amp 30°C Temperature Rise
 Contact resistance: 10 milliohms Max.
 Insulator resistance: 500 Megohms min.
 Dielectric withstanding: AC 500V mated with 538A
 Operating Temperature: -40°C to +105°C.
 Max. processing Temp: 230°C for 30-60 seconds.



SECTION B-B



SECTION A-A



RECOMMENDED PCB LAYOUT

RoHS Compliant

TOLERANCES ARE

MORETHANALL
PCB CONNECTORS
Cable ASSEMBLIES

煜倫股份有限公司

www.morethanall.com

DRAWING BY CY

CHECKED BY GENIUS

UNIT / mm SCALE 1 : 1

DATE

SIZE A4

X. ± 0.30

.X ± 0.25

.XX ± 0.15

.XXX ± 0.05

ANG ±

PJECTION

照片框

ORDER INFORMATION

F51-Z93XC-1X03B-LF

SERIES | | | | | LEADFREE
 | | | | | BOTH TAIL
 | | | | | 03 WAY
 | | | | | CAP
 | | | | | NON POST
 | | | | | HIGH 9.35mm
 BOTTOM ENTRY SMT

DESCRIPTION: