

**SPECIFICATIONS**

CURRENT RATING: 3 AMP

INSULATION RESISTANCE: 1000M OHMS MIN.

DIELECTRIC WITHSTANDING: 600V AC/DC

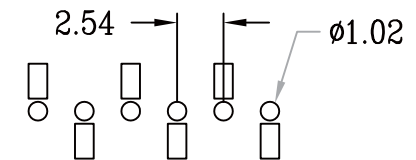
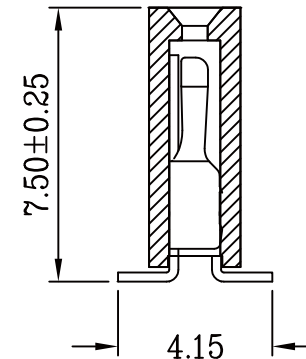
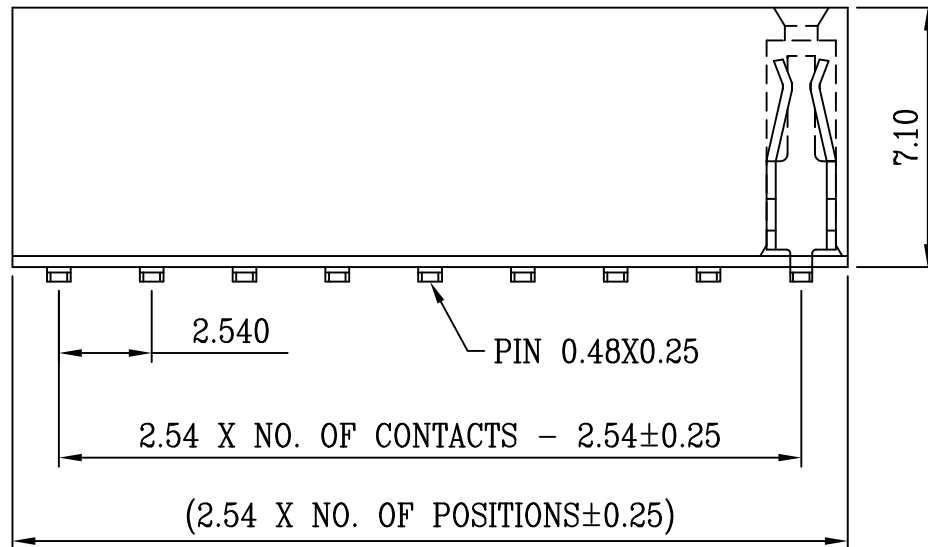
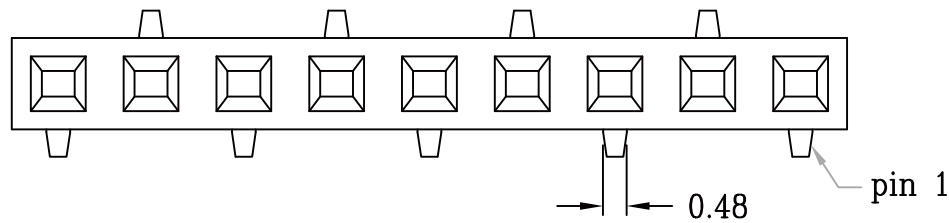
CONTACT RESISTANCE: 20m OHMS MAX.

OPERATING TEMPERATURE: -25°C ~ +85°C

**MATERIALS**

CONTACT MATERIAL: PHOSPHOR BRONZE

INSULATION MATERIAL: POLYESTER, UL 94V-0  
 NYLON 6T



RECOMMENDED P.C.B LAYOUT

RoHS Compliant

TOLERANCES ARE

**MORETHANALL**  
 PCB CONNECTORS  
 Cable ASSEMBLIES

煜倫股份有限公司

www.morethanall.com

DRAWING BY CY

CHECKED BY GENIUS

UNIT / mm

SCALE 1:1

DATE

SIZE A4

X, ±

.X ±

.XX ±

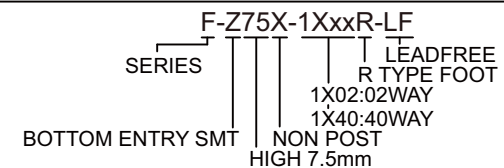
.XXX ±

ANG ±

PPOJECTION

照片框

ORDER INFORMATION



DESCRIPTION: 2.54mm Female Socket Single SMD type (H=7.5)