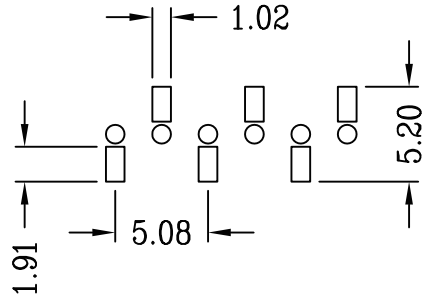
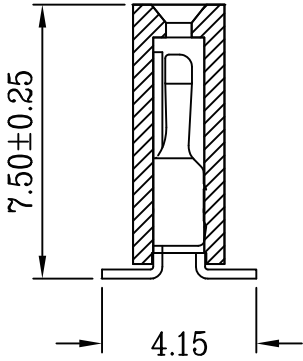
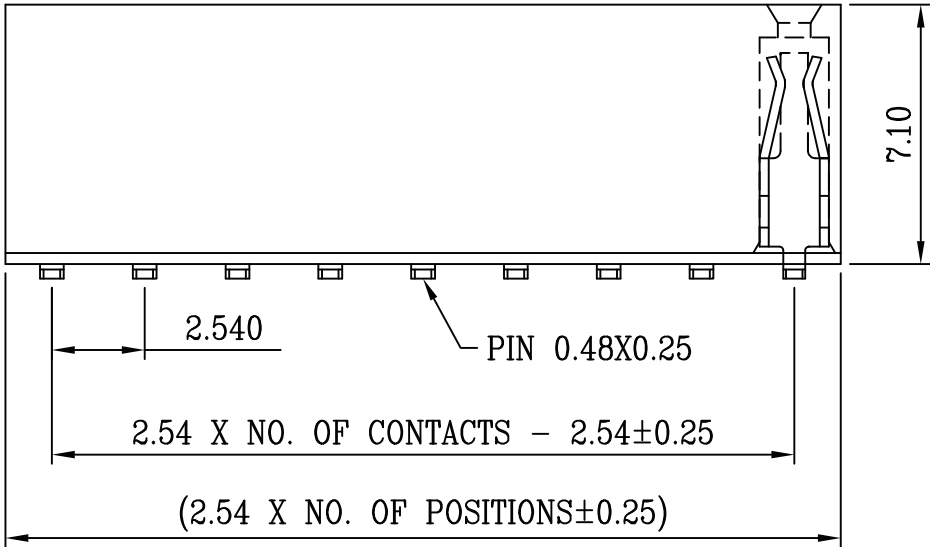
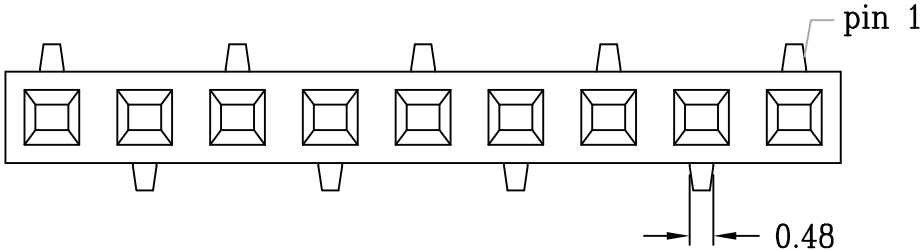


SPECIFICATIONS

CURRENT RATING: 3 AMP
 INSULATION RESISTANCE: 1000M OHMS MIN.
 DIELECTRIC WITHSTANDING: 600V AC/DC
 CONTACT RESISTANCE: 20m OHMS MAX.
 OPERATING TEMPERATURE: -25°C ~ +85°C

MATERIALS

CONTACT MATERIAL: PHOSPHOR BRONZE
 INSULATION MATERIAL: POLYESTER, UL 94V-0
 NYLON 6T



RECOMMENDED P.C.B LAYOUT

RoHS Compliant

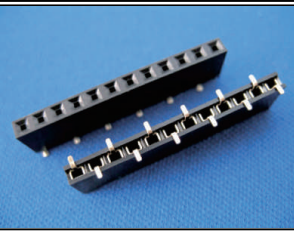
TOLERANCES ARE



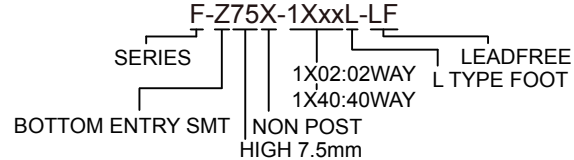
煜倫股份有限公司

www.morethanall.com

DRAWING BY CY		X.± .X± .XX± .XXX± ANG±
CHECKED BY GENIUS		
UNIT / mm	SCALE 1:1	
DATE		
SIZE A4	PPOJECTION	



ORDER INFORMATION



DESCRIPTION: 2.54mm Female Socket Single SMD type (H=7.5)