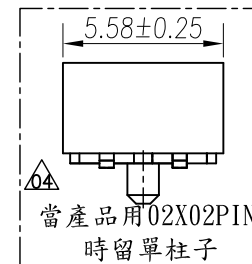
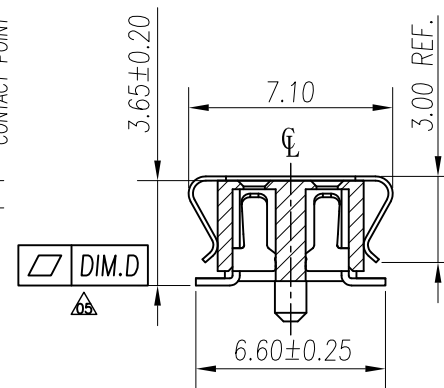
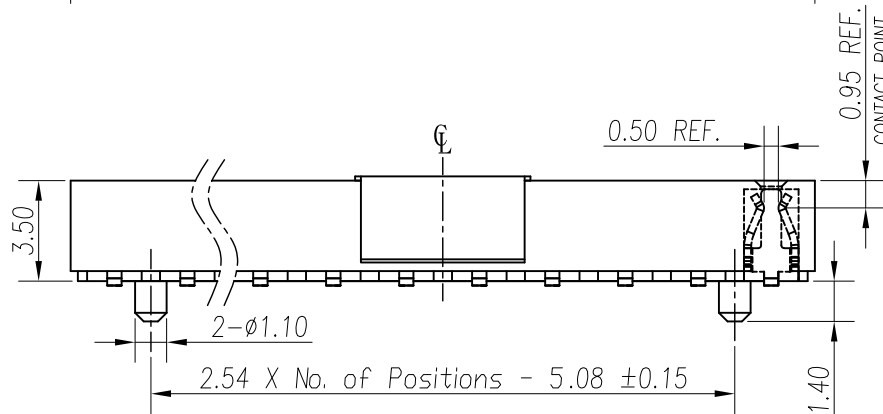
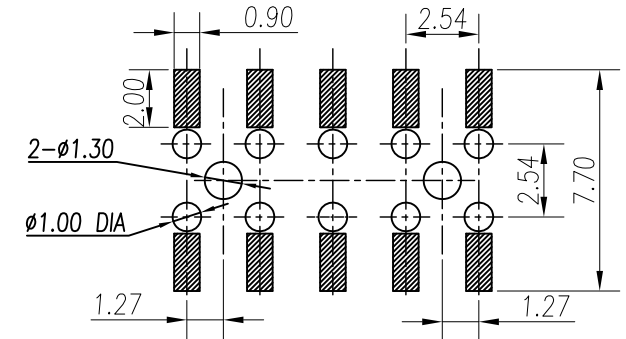


Dim. D	NOTE
0.12mm	02~10pins
0.15mm	11~40pins



Specifications
 Current Rating: 3Amp Δ
 Insulation Resistance: 1000M Ω Min.
 Dielectric Withstanding Voltage: 600VAC
 Contact Resistance: 20m Ω Max.
 Operating Temperature: -40°C to +105°C
Materials
 Contact Material: Phosphor Bronze
 Insulator Material: High Temperature Thermoplastic, UL 94V-0 Nylon 6T (Halogen Free) or the equivalent material

RECOMMENDED P.C.B LAYOUT FOR BOTTOM ENTRY



RoHS Compliant

TOLERANCES ARE

MORETHANALL
 PCB CONNECTORS
 Cable ASSEMBLIES

煜倫股份有限公司

www.morethanall.com

DRAWING BY CY

CHECKED BY GENIUS

UNIT / mm SCALE 1 : 1

DATE

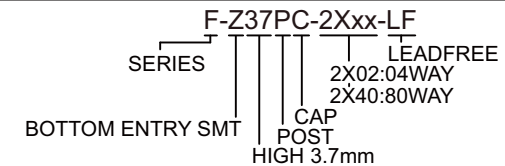
SIZE A4

X ± 0.30
 X ± 0.25
 .XX ± 0.15
 .XXX ± 0.10
 ANG ±

P PROJECTION

照片框

ORDER INFORMATION



DESCRIPTION: 2.54 FEMALE HEADER DUAL ROWS SMT TYPE CONNECTOR