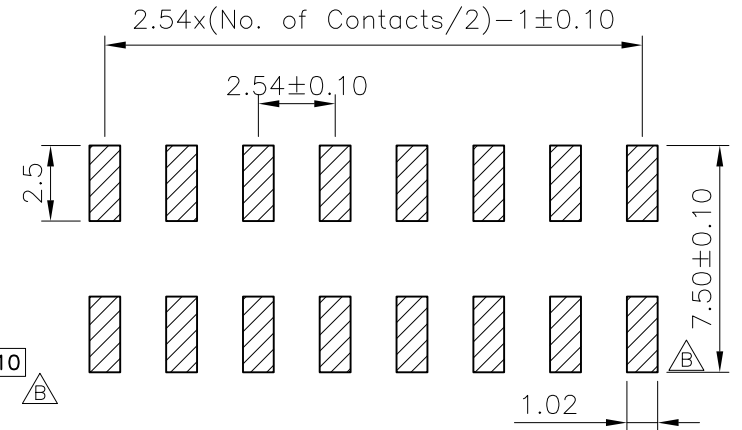
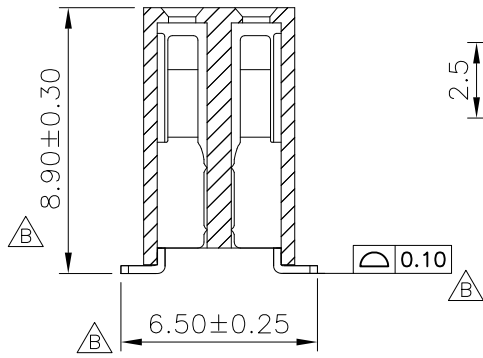
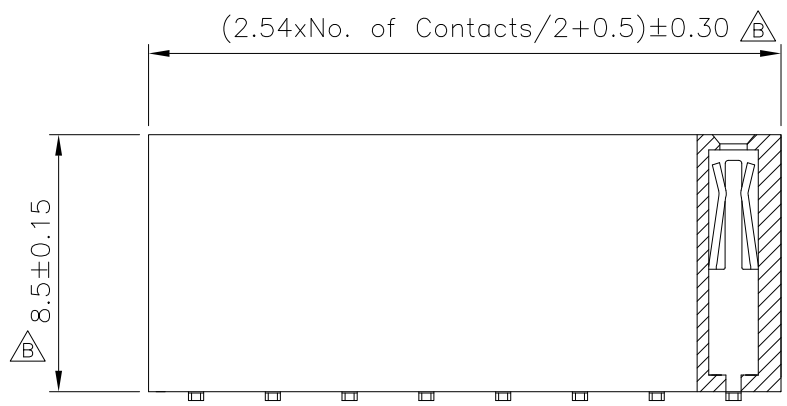


Specifications:

- Current rating: 3.0A AC, DC
- Voltage rating: 250V AC, DC
- Contact resistance: 20m ohm max.
- Insulation resistance: 1,000M ohm min.
- Withstanding voltage: 500V AC/minute
- Operating Temperature range: -40°C to +105°C

Material:

- Insulator: High Temp Plastic (Nylon 6T UL94V-0)
- Standard Color: Black
- Terminal: Phosphor Bronze
- Finish: Gold Plated



PCB LAYOUT

RoHS Compliant

TOLERANCES ARE



DRAWING BY CY

CHECKED BY GENIUS

UNIT / mm SCALE 1 : 1

DATE

SIZE A4

- X ±
- .X ± 0.20
- .XX ± 0.15
- .XXX ±
- ANG ±

照片框

ORDER INFORMATION

F-V89X-2Xxx-LF
 SERIES LEADFREE
 2X02:04WAY
 2X40:80WAY
 180°SMT NON POST
 HIGH 8.9mm

DESCRIPTION: 2.54mm PCB Socket 8.5mm Height Double Row SMD Type

煜倫股份有限公司

www.morethanall.com

PJECTION