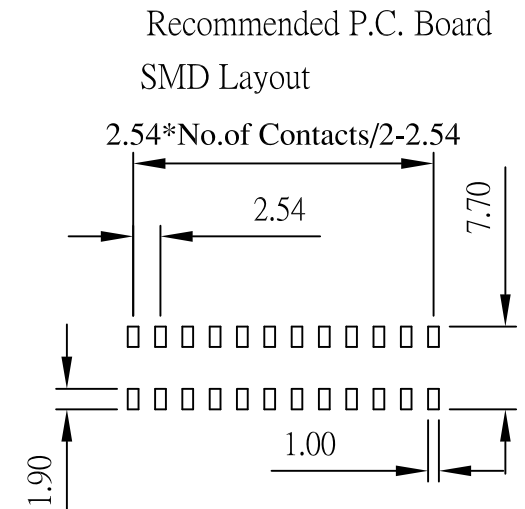
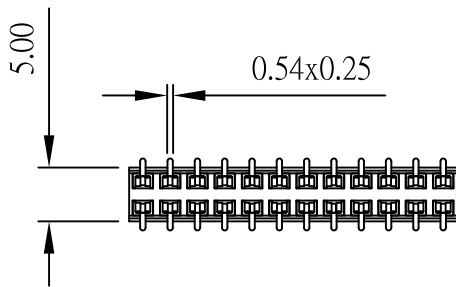
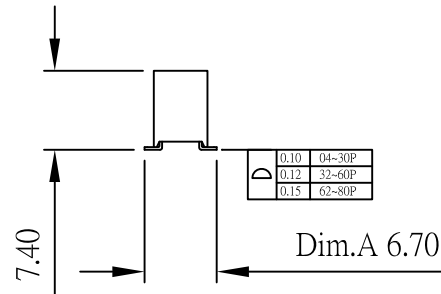
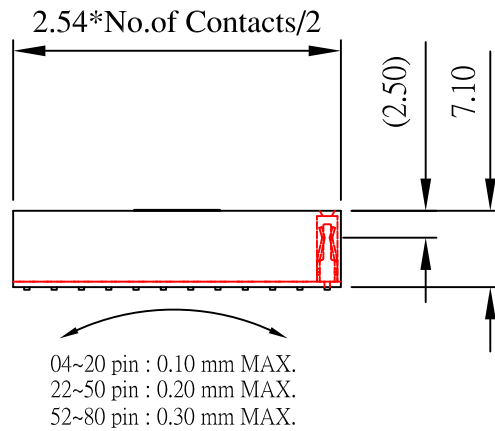


CONTACT	Mylar (A)
2X04~2X40 PIN	5.0*8.0*0.08t
2X02~2X03 PIN	5.0*5.0*0.08t

Current Rating and voltage: 3 Amps 250V(r.m.s)
 Insulator Resistance: 5000 Megohms min
 Contact Resistance: 20 m ohms max
 Dielectric Withstanding: 1000 V AC
 Operating Temperature: - 40° ~ +105° C
 Max Processing Temp: 230° C for 60 seconds
 Max Processing Temp: 260° C for 10 seconds
 Contact Material: Phosphor Bronze
 Insulator Material: High Temperature Plastic,UL 94V-0
 Finish: Standard: Gold Flash all over



RoHS Compliant

TOLERANCES ARE

MORETHANALL
 PCB CONNECTORS
 Cable ASSEMBLIES

DRAWING BY CY

X. ±
 .X ± 0.30
 .XX ± 0.20
 .XXX ± 0.10
 ANG ±

CHECKED BY GENIUS

UNIT / mm SCALE 1 : 1

DATE

SIZE A4

PJECTION

ORDER INFORMATION

F-V74XCR-2Xxx-LF

SERIES REEL MYLAR NON POST
 LEADFREE
 2X02:04WAY
 2X40:80WAY
 180°SMT
 HIGH 7.4mm

煜倫股份有限公司

www.morethanall.com

DESCRIPTION:

