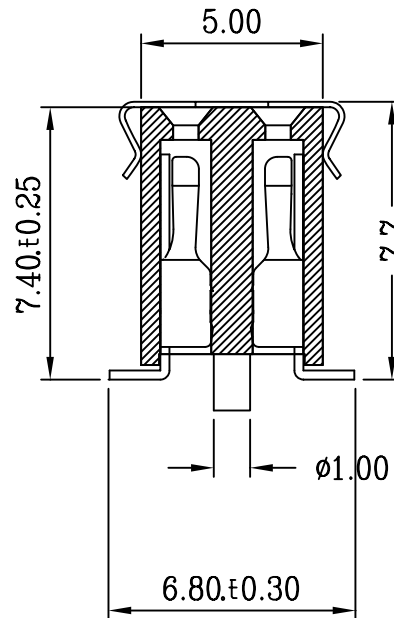
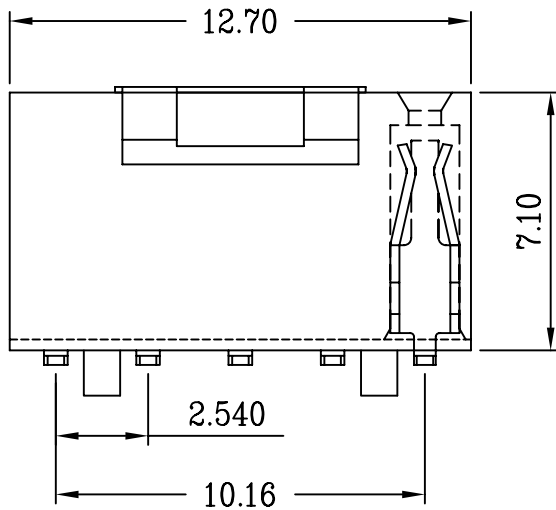


without pin

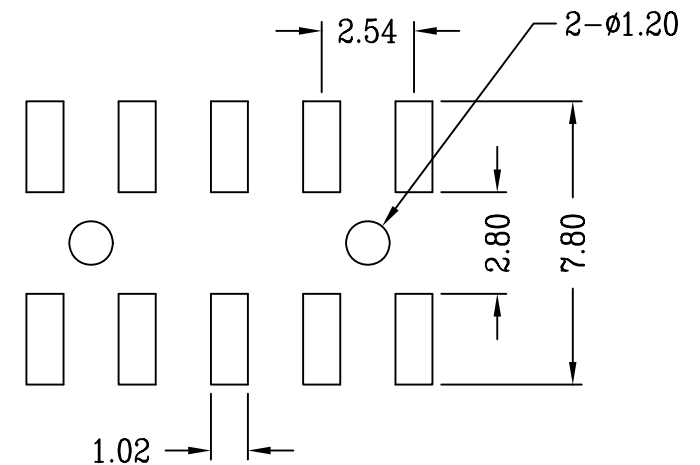


SPECIFICATIONS

CURRENT RATING: 3 AMP
 INSULATION RESISTANCE: 5000M OHMS MIN.
 DIELECTRIC WITHSTANDING: 600V AC/DC
 CONTACT RESISTANCE: 20m OHMS MAX.
 OPERATING TEMPERATURE: -40°C ~ +105°C

MATERIALS

CONTACT MATERIAL: PHOSPHOR BRONZE
 INSULATION MATERIAL: POLYESTER, UL 94V-0
 NYLON 6T
 FINISH: GOLD OVER NICKEL



RECOMMENDED P.C.B LAYOUT

RoHS Compliant

TOLERANCES ARE

MORETHANALL
 PCB CONNECTORS
 Cable ASSEMBLIES

煜倫股份有限公司

www.morethanall.com

DRAWING BY CY

CHECKED BY GENIUS

UNIT / mm

SCALE 1 : 1

DATE

SIZE A4

X. ±
 .X ± 0.35
 .XX ± 0.25
 .XXX ±
 ANG ±

PJECTION

照片框

ORDER INFORMATION

F-V74PC-2X05E9-LF
 SERIES | 180°SMT | CAP | NON POST | HIGH 7.4mm | 10WAY | LEADFREE | EMPTY#9

DESCRIPTION: 2.54mm Female Socket Dual Row SMD type (H=7.5)