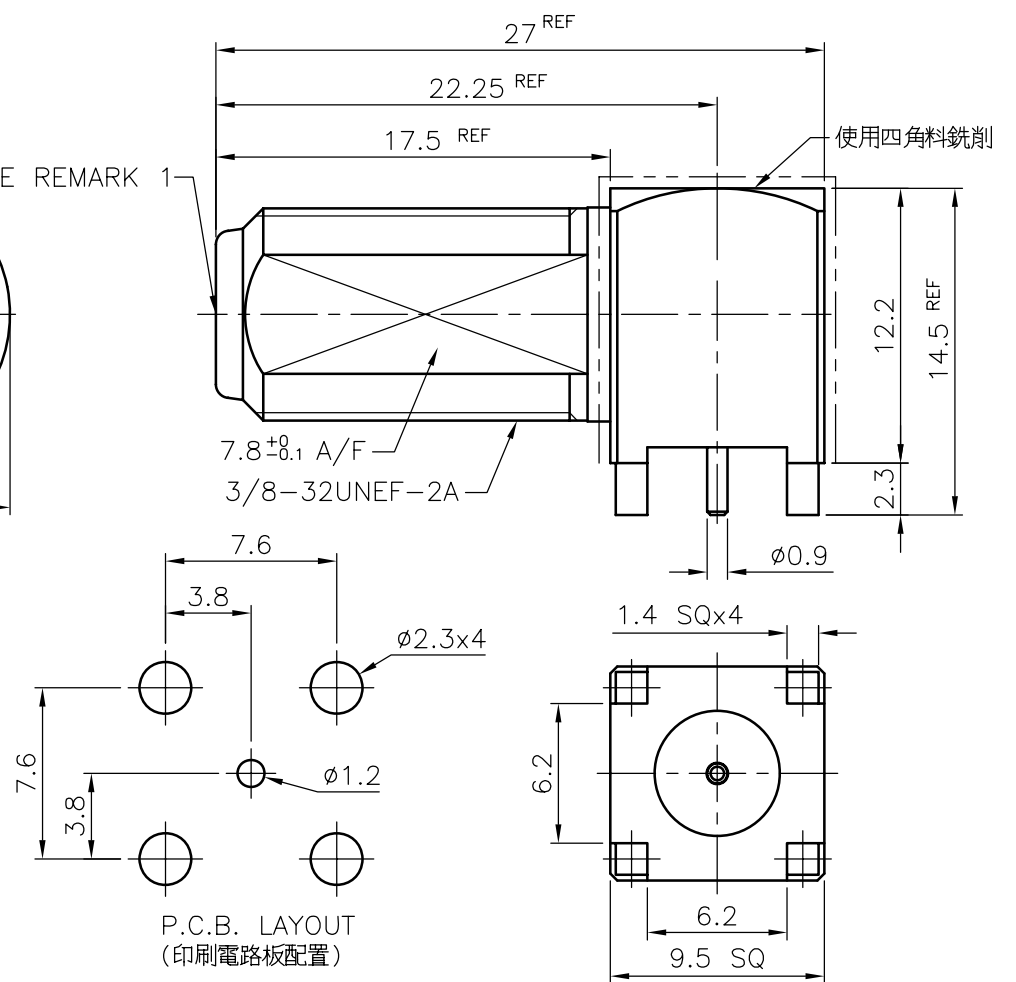


RECOMMENDED
CABLE STRIPPING DIM'S
(建議剝線尺寸)

- REMARK: 1.ACCEPT $\phi 0.54 \sim \phi 1.06$ SOLID PIN
(接受 $\phi 0.54 \sim \phi 1.06$ 單蕊的線心)
2.RoHS COMPLIANT
(符合 RoHS)
3.VSWR 1.46 MAX. UP TO 3GHz
(頻率 3GHz 之內, 電壓駐波比須低於 1.46)
4.WITHSTANDING 20sec At 250°C
(可承受 250°C, 20 秒)

| NO. | DESCRIPTION | MATERIAL | FINISH | Q'TY |
|-----|-------------|----------|--------|------|
| | NUT | NOTE 1 | NOTE 2 | |
| | WASHER | SS41 | NOTE 2 | |
| | INSULATOR | NOTE 4 | WHITE | |
| | INSULATOR | NOTE 4 | WHITE | |
| | INSULATOR | NOTE 4 | WHITE | |
| | BODY | NOTE 1 | NOTE 2 | |
| | CONTACT PIN | NOTE 5 | NOTE 3 | |
| | CONTACT PIN | NOTE 1 | NOTE 3 | |
| | CUBE BODY | NOTE 1 | NOTE 2 | |

- NOTES: FINISH (PLATING THICKNESS IN MICRO-INCHES)
- BRASS PER QQ-B-626
 - NICKEL PL 70 MIN THICK OVER COPPER STRIKE
 - GOLD PL 3 MIN OVER NICKEL PL 70 MIN THICK OVER COPPER STRIKE
 - TEFLON MIL-P-19468
 - BERYLLIUM COPPER PER QQ-C-530



P.C.B. LAYOUT
(印刷電路板配置)

1. MAX. PANEL THICKNESS=3.2mm
(最大板厚)

RoHS Compliant

TOLERANCES ARE

MORETHANALL
PCB CONNECTORS
Cable ASSEMBLIES
煜倫股份有限公司
www.morethanall.com

DRAWING BY CY

CHECKED BY GENIUS

UNIT / mm SCALE 1:1

DATE

SIZE A4

PPOJECTION

X, ±
.X ±
.XX ±
.XXX ±
ANG ±

照片框

ORDER INFORMATION

F-JRL27NW-75-LF

SERIES | | | | | LEADFREE
75 OHM
NUT+WASHER
LONG 22.0mm
DIP 90°
JACK

DESCRIPTION: F R/A PCB MOUNT JACK