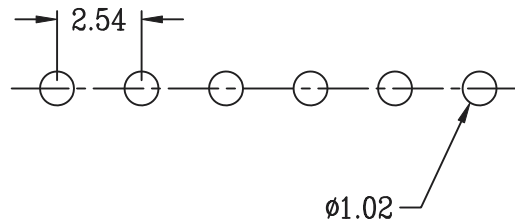
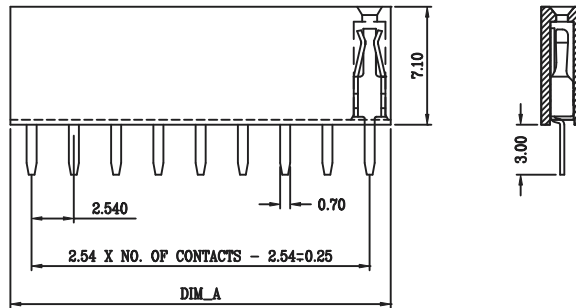


Contacts	Dim_A
1X2P	5.08
1X3P	7.62
1X4P	10.66
1X5P	13.2
1X6P	15.74
1X7P	18.28
1X8P	20.82
1X9P	23.36
1X10P	25.9
1X11P	28.44
1X11P	30.98
1X13P	33.52
1X14P	36.06
1X15P	38.6
1X16P	41.14
1X17P	43.68
1X18P	46.22
1X19P	48.76
1X20P	51.3
1X21P	53.84
1X22P	56.38
1X23P	58.92
1X24P	61.46
1X25P	64.0
1X26P	66.54
1X27P	69.08
1X28P	71.62
1X29P	74.16
1X30P	76.7
1X31P	79.24
1X31P	81.78
1X33P	84.32
1X34P	86.86
1X35P	89.4
1X36P	91.94
1X37P	94.48
1X38P	97.02
1X39P	99.56
1X40P	102.1



RECOMMENDED P.C.B LAYOUT

SPECIFICATIONS

CURRENT RATING: 3 AMP
 INSULATION RESISTANCE: 1000M OHMS MIN.
 DIELECTRIC WITHSTANDING: 600V AC/DC
 CONTACT RESISTANCE: 20m OHMS MAX.
 OPERATING TEMPERATURE: -40°C ~ +105°C

MATERIALS

CONTACT MATERIAL: PHOSPHOR BRONZE
 INSULATION MATERIAL: POLYESTER, UL 94V-0
 NYLON 6T

RoHS Compliant

TOLERANCES ARE



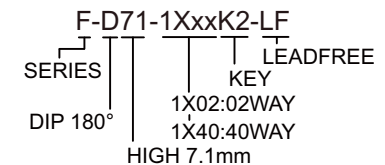
煜倫股份有限公司

www.morethanall.com

DRAWING BY CY		X. ± .X ± .XX ± .XXX ± ANG ±
CHECKED BY GENIUS		
UNIT / mm	SCALE 1 : 1	
DATE		
SIZE A4	PJECTION	

照片框

ORDER INFORMATION



DESCRIPTION: