

NOTES:

1.MATERIAL:

HOUSING:THERMOPLASTIC HIGH TEMP WITH 30%G/F UL94 V-0

COLOR:BLACK

ESATA CONTACT:BRASS

USB CONTACT:PHOSPHOR BRONZE

SHELL:PHOSPHOR BRONZE

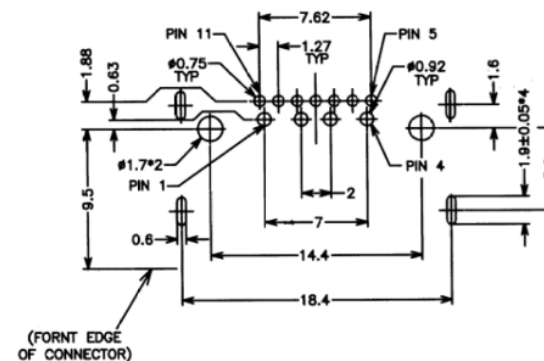
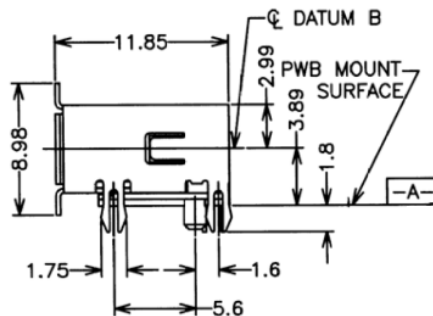
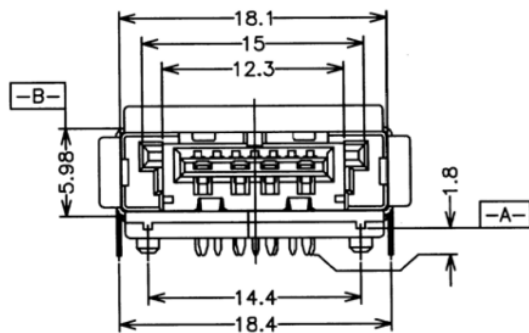
2.FINISH:

CONTACT:GOLD PLATING ON CONTACT AREA

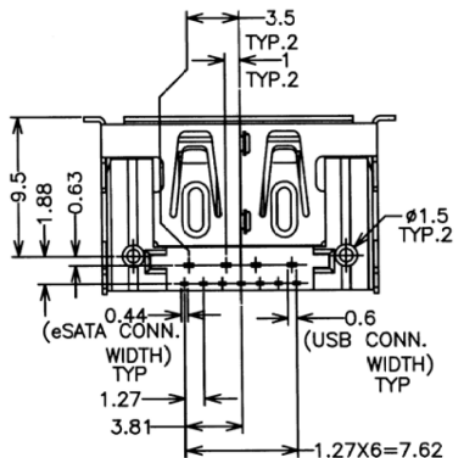
100u" MIN.TIN PLATING ON SOLDER TAILS

50u" MIN.NICKEL UNDERPLATING OVER ALL

SHELL:50u" MIN.NICKEL UNDERPLATING OVER ALL



RECOMMEND P.C.BOARD LAYOUT  
PCB TOLERANCE:±0.05



PIN DEFINITION

USB		ESATA	
NAME	TYPE	NAME	TYPE
P1	VBUS	P5	GND
P2	D-	P6	A+
P3	D+	P7	A-
P4	GND	P8	GND
		P9	B-
		P10	B+
		P11	GND

RoHS Compliant

TOLERANCES ARE

**MORETHANALL**  
PCB CONNECTORS  
Cable ASSEMBLIES

DRAWING BY CY

CHECKED BY GENIUS

UNIT / mm SCALE 1 : 1

DATE

SIZE A4

X, ±  
.X ± 0.38  
.XX ± 0.25  
.XXX ± 0.13  
ANG ±

P PROJECTION

照片框

ORDER INFORMATION

ESATAP-PRZZPC-074A-LF

SERIES | | | | LEADFREE  
MALE | | | | 07 TO 4 PIN A TYPE  
CLIP | | | | MYLAR  
DIP 90° | | | | POST

DESCRIPTION:

煜倫股份有限公司

www.morethanall.com