

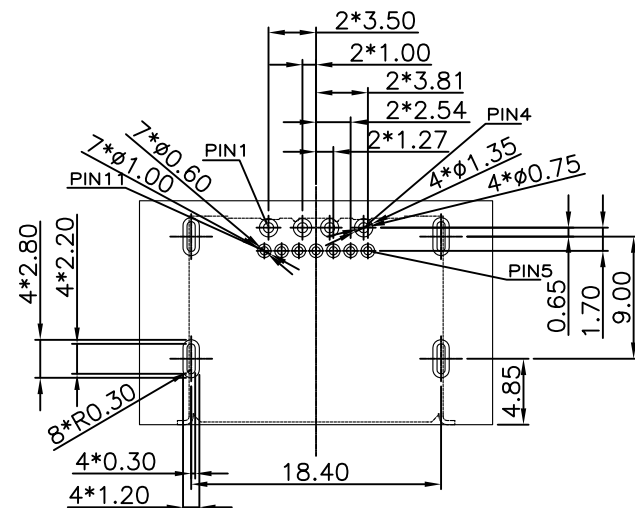
NOTES:

1.ELECTRICAL CHARACTERISTICS:

- 1.1 CONTACT CURRENT RATING:USB2.0 1.5A MAX PER CONTACT
e-SATA 0.1A Max PER CONTACT
- 1.2 INSULATION RESISTANCE:1000 MEGAOHMS MIN AT 250 VDC
- 1.3 DIELECTRIC WITHSTANDING VOLTAGE:500V AC MIN
- 1.4 LOW LEVEL CONTACT RESISTANCE:50mΩ MAX.(INITIAL)
50mΩ MAX.AFTER LIFE TEST

2.MECHANICA CHARACTERISTISC:

- 2.1 INSERTION FORCE: USB2.0 35N MAX
e-SATA 40N MAX
- 2.2 EXTRACTION FORCE:USB2.0 10N MIN FOR AFTER LIFE TEST.
e-SATA 10N MIN FOR AFTER LIFE TEST
- 2.3 TERMINAL RETENTION FORCE(IN HOUSING):
USB2.0 TERMINAL 5N MIN OR MORE PER PIN
e-SATA TERMINAL 5N MIN OR MORE PER PIN
- 2.4 DURABILITY:1,500 MATING CYCLES
- 2.5 OPERATING TEMPERATURE:-40°C TO +85°C
- 3.THE DATE CODE IS LOCATED APPROXIMATELY AS SHOWN
- 4.DATE CODE RULE:YYMMDD
- 5.THE CONNECTOR IS H/F COMPLIANT



RECOMMEND P.C.OARD LAYOU T=1.20mm
PCB TOLERANCE:±0.05

PIN DEFINITON

USB		ESATA	
NAME	TYPE	NAME	TYPE
P1	VBUS	P5	GND
P2	D-	P6	A+
P3	D+	P7	A-
P4	GND	P8	GND
		P9	B-
		P10	B+
		P11	GND

NO	DESCRIPTION	Q'TY	MATERIAL	PLATING & COLOR
5	USB2.0 CONTACT	4	COOPER ALLOY	GOLD FLASH PLATED ON MATING AREA, TIN 100U" MIN.PLATED ON SOLDERING. 30U" NICKEL PLATING OVERALL.
4	eSATA CONTACT	7	COOPER ALLOY	
3	SHELL	1	STAINLESS STEEL	NICKEL 50U" MIN
2	HOUSING	1	HIGH THERMOPLASTIC	BLACK
1	HOUSING	1	HIGH THERMOPLASTIC	BLACK
NO	DESCRIPTION	Q'TY	MATERIAL	PLATING & COLOR

RoHS Compliant

TOLERANCES ARE



煜倫股份有限公司

www.morethanall.com

DRAWING BY CY

CHECKED BY GENIUS

UNIT / mm SCALE 1 : 1

DATE

SIZE A4 PPROJECTION

X, ±
.X ± 0.38
.XX ± 0.25
.XXX ± 0.15
ANG ±

照片框

ORDER INFORMATION

ESATAP-PRMZ-074A-LF

SERIES | | | | LEADFREE
| | | | 07 TO 4 PIN A TYPE
MALE | | | CLIP
| | | METAL FOOT
DIP 90°

DESCRIPTION: USB 2.0 + ESATAP FEMALE DIP CL4.19mm TYPE