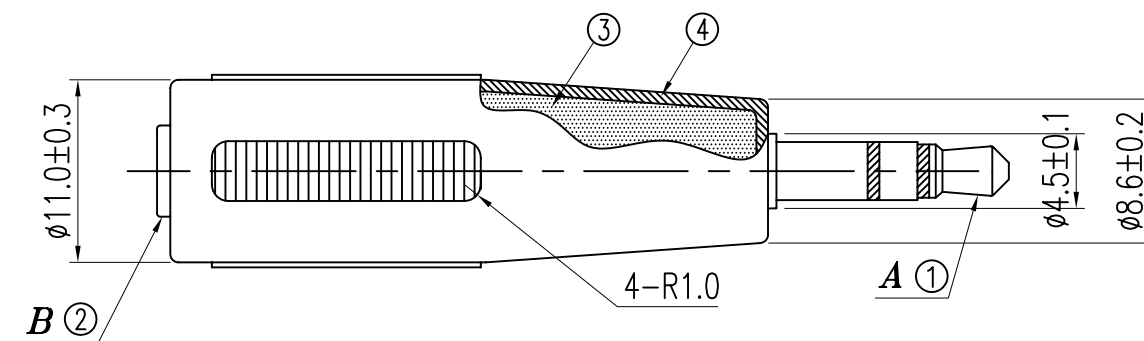


接點圖(端子號對應如下圖)

A端 端子號	B端 端子號
1	1
2	2
3	3



NO	名稱	規格/顏色	備注
1	φ3.5Stereo.Plug	鍍鍍 POM黑膠 P3243-1M00	
2	φ2.5Stereo.Jack	鍍鍍 POM黑膠 J2251L-4S00	
3	內膜成型體	PE本色料	
4	外膜成型體	環保無毒性黑色PVC 60P	

RoHS Compliant

TOLERANCES ARE

MORETHANALL
PCB CONNECTORS
Cable ASSEMBLIES

DRAWING BY CY

CHECKED BY GENIUS

UNIT / mm

SCALE 1 : 1

DATE

SIZE A4

X, ±
.X ±
.XX ±
.XXX ±
ANG ±

P PROJECTION

照片框

ORDER INFORMATION

ENPN-AS-0303-LF

SERIES

LEADFREE

03 TO 03 WAY

FEMALE TO MALE

煜倫股份有限公司

www.morethanall.com

DESCRIPTION: φ3.5SP/φ2.5SJ ADAPTOR