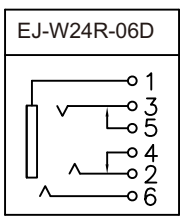
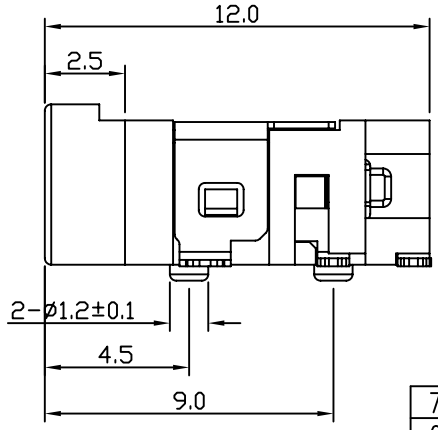
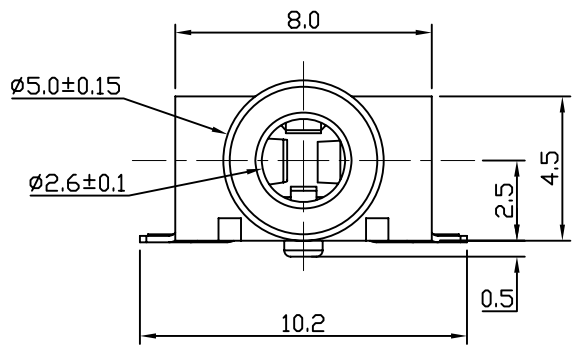


T:1.6 Dimensions of PC board holes
Tolerance : ±0.05(Printed-top view)



UNLESS OTHERWISE SPECIFIED, TOLERANCE ON DECIMAL:±0.2

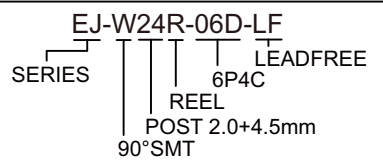
7	HOUSING	1	PA9T		UL-94V0(BLACK)
6	TERMINAL 6#	1	C5191	t=0.20	Ag PLATED
5	TERMINAL 5#	1	C2680	t=0.25	Ag PLATED
4	TERMINAL 4#	1	C2680	t=0.25	Ag PLATED
3	TERMINAL 3#	1	C5191	t=0.25	Ag PLATED
2	TERMINAL 2#	1	C5191	t=0.25	Ag PLATED
1	TERMINAL 1#	1	C5191	t=0.25	Ag PLATED
LTR	PART NAME	QTY	MATERIAL		REMARK

RoHS Compliant

TOLERANCES ARE
X.±
.X±
.XX±
.XXX±
ANG±



ORDER INFORMATION



MORETHANALL
PCB CONNECTORS
Cable ASSEMBLIES

煜倫股份有限公司

www.morethanall.com

DRAWING BY CY
CHECKED BY GENIUS
UNIT / mm SCALE 1 : 1
DATE
SIZE A4 PPROJECTION

DESCRIPTION:MINIATURE JACK

1 Space=1 pcs

1 Film packing box=700pcs×1
=700pcs

1 Big Carton=700pcs×12=8400pcs

1 Film packing box Dimension
=L×W×H
=12600×24×5.7

The thickness of the film=0.35mm

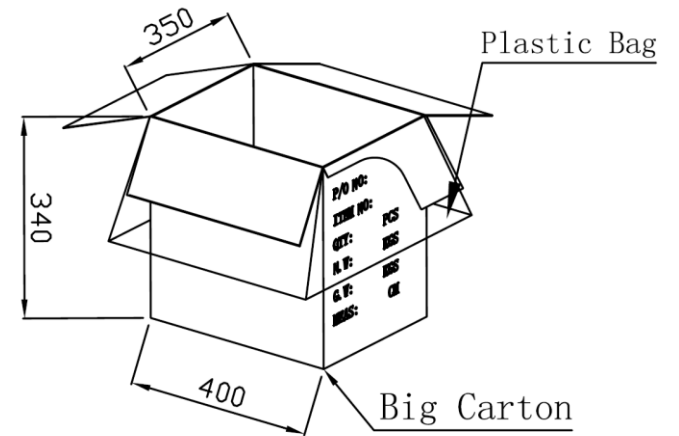
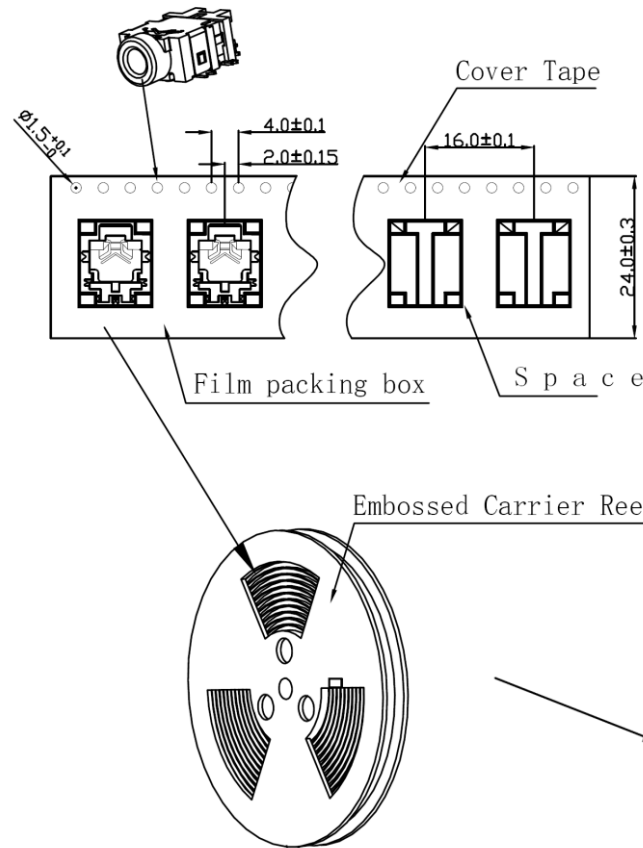
1 Cover tape Dimension
=L×W×H
=8600×24×0.06

1 Embossed Carrier Reel Dimension
=D×H
=330×29.1

1 Plastic Bag Dimension
=L×W×D
=1000×1100×0.06

1 Big Carto Dimension
=L×W×H
=400×350×340

Unit:mm



Net weight: 3.5Kg

Total weight:8Kg

RoHS Compliant

TOLERANCES ARE

MORETHANALL
PCB CONNECTORS
Cable ASSEMBLIES

煜倫股份有限公司

www.morethanall.com

DRAWING BY CY

CHECKED BY GENIUS

UNIT / mm

SCALE 1:1

DATE

SIZE A4

P PROJECTION

X, ±
.X ±
.XX ±
.XXX ±
ANG ±



ORDER INFORMATION

EJ-W24R-06D-LF
 SERIES REEL LEADFREE
 6P4C
 POST 2.0+4.5mm
 90°SMT

DESCRIPTION:MINIATURE JACK