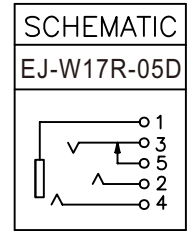


T:1.6 Dimensions of PC board holes
Tolerance : ±0.05(Printed-top view)



UNLESS OTHERWISE SPECIFIED, TOLERANCE ON DECIMAL: ±0.2

6	HOUSING	1	PA9T		UL-94V0(BLACK)
5	CONTACT FOOT	1	C5191	t=0.20	Ag PLATED
4	SPRING PIECE	1	C5191	t=0.20	Ag PLATED
3	SPRING PIECE	1	C5191	t=0.20	Ag PLATED
2	CONTACT FOOT	1	C5191	t=0.20	Ag PLATED
1	CONTACT FOOT	1	C5191	t=0.20	Ag PLATED
LTR	PART NAME	QTY	MATERIAL		REMARK

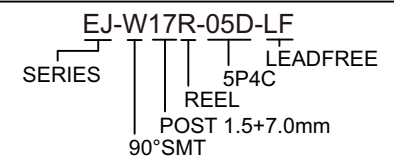
RoHS Compliant

TOLERANCES ARE

X.±
.X±
.XX±
.XXX±
ANG±

照片框

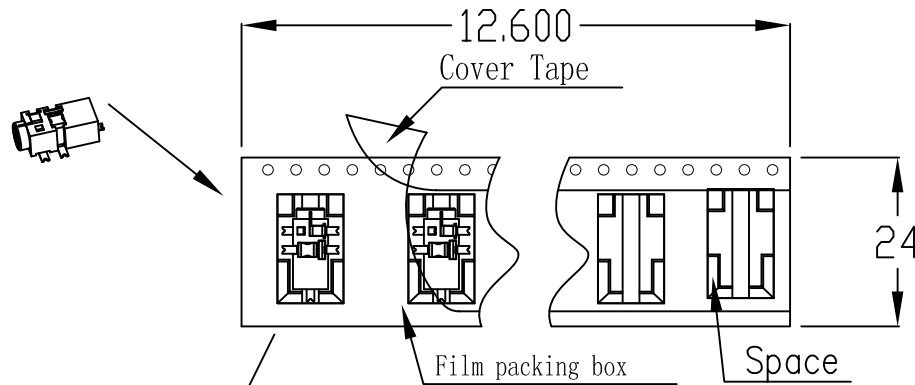
ORDER INFORMATION



MORETHANALL
PCB CONNECTORS
Cable ASSEMBLIES
煜倫股份有限公司
www.morethanall.com

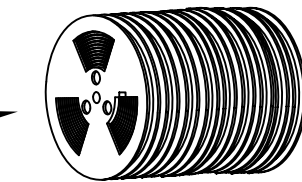
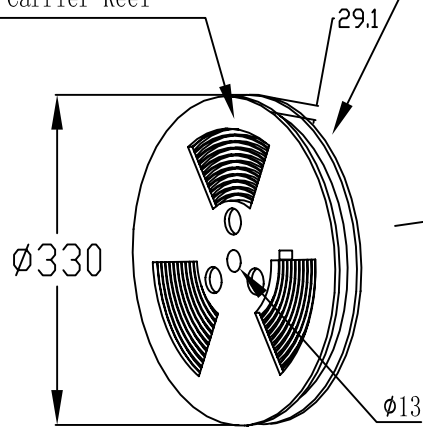
DRAWING BY CY		X.± .X± .XX± .XXX± ANG±
CHECKED BY GENIUS		
UNIT / mm	SCALE 1 : 1	
DATE		
SIZE A4	PJECTION	

DESCRIPTION: MINIATURE JACK



1000pcs X 1 = 1000pcs

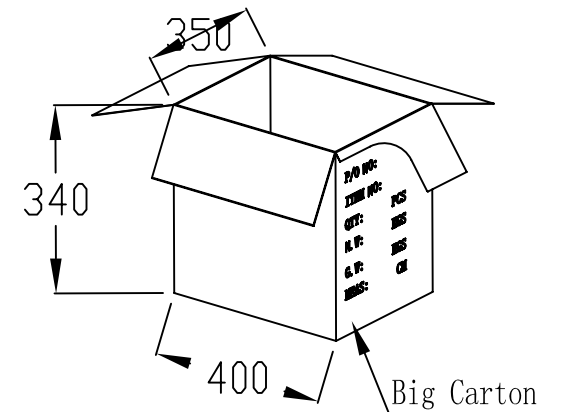
Embossed Carrier Reel



1000pcs X 13 = 13000pcs

Net weight:4.5Kg

Total weight:10Kg



13000pcs X 1 = 13000pcs

Unit:mm

Packing temperature request:
160°C~180°C

RoHS Compliant

TOLERANCES ARE

MORETHANALL
PCB CONNECTORS
Cable ASSEMBLIES

DRAWING BY CY

X.±

CHECKED BY GENIUS

.X±

UNIT/mm

SCALE 1:1

.XX±

DATE

.XXX±

ANG±

照片框

ORDER INFORMATION

EJ-W17R-05D-LF
SERIES REEL LEADFREE
5P4C
POST 1.5+7.0mm
90°SMT

煜倫股份有限公司

www.morethanall.com

SIZE A4

PPOJECTION

DESCRIPTION: