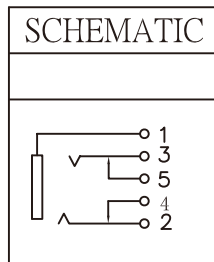


T:1.6 Dimensions of PC board holes
Tolerance : ± 0.05 (Printed-top view)



6	HOUSING	1	PA9T		UL-94V0(BLACK)
5	SHUNT TERMINAL	1	C5191	t=0.2	Au PLATED
4	SHUNT TERMINAL	1	C5191	t=0.2	Au PLATED
3	RING SPRING	1	BeCu	t=0.2	Au PLATED
2	TIP SPRING	1	BeCu	t=0.2	Au PLATED
1	RING SPRING	1	BeCu	t=0.2	Au PLATED
LTR	PART NAME	QTY	MATERIAL		REMARK

UNLESS OTHERWISE SPECIFIED, TOLERANCE ON DECIMAL: ± 0.2

MORETHANALL
PCB CONNECTORS
Cable ASSEMBLIES

煜倫股份有限公司

www.morethanall.com

RoHS Compliant

DRAWING BY CY

CHECKED BY GENIUS

UNIT / mm SCALE 1 : 1

DATE

SIZE A4

TOLERANCES ARE

X. \pm
.X \pm
.XX \pm
.XXX \pm
ANG \pm

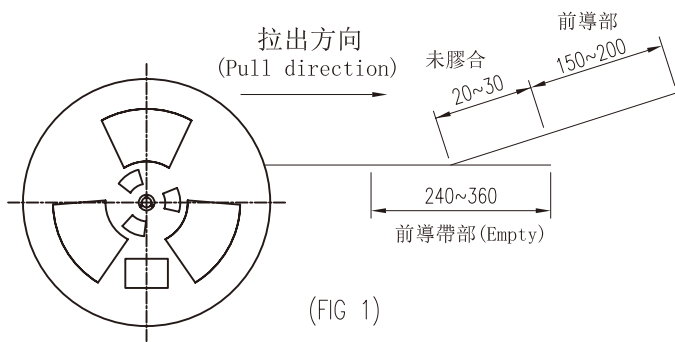
P PROJECTION

照片框

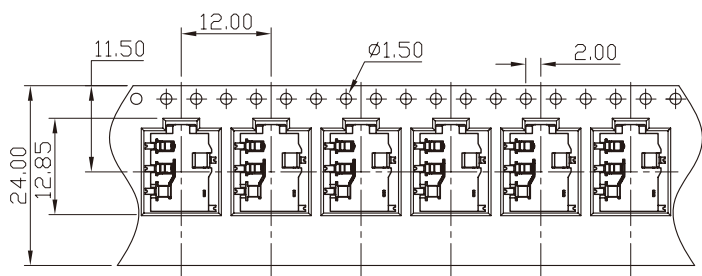
ORDER INFORMATION

EJ-W15R-05C-LF
SERIES REEL POST 1.0+5.4mm 90°SMT
LEADFREE
5P3C

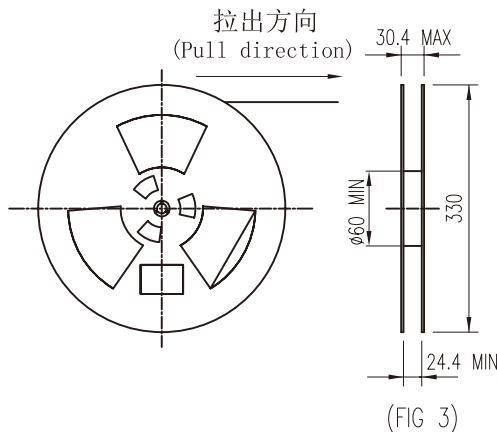
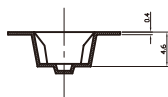
DESCRIPTION: MINIATURE JACK



(FIG 1)



(FIG 2)



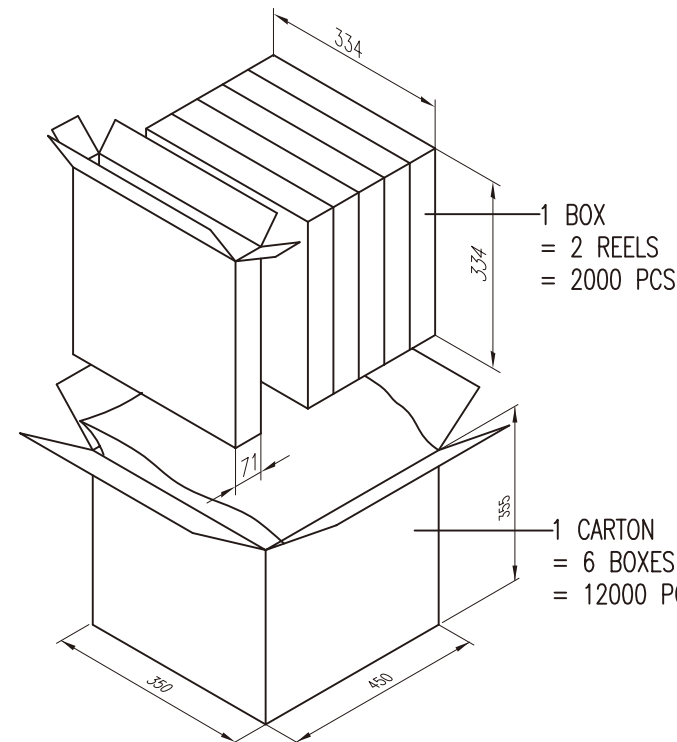
(FIG 3)

Reel外觀尺寸圖

拉出方向
(Pull direction)



1 REEL
= 1000 PCS



1 BOX
= 2 REELS
= 2000 PCS

1 CARTON
= 6 BOXES
= 12000 PCS

REMARK:

- The connector can not be loaded on the position of length 240~360mm in the reel tape and lead tape. The cover tape with 20~30mm length shall not be adhesive on the lead tape and the cover tape is lead portion shall have 150~200mm length (Refer FIG 1).
- Tape shall turn on right direction.
- The direction of connector is fixed regarding the position of terminal, please refer outline drawing (Refer FIG 2).
- After winding, using the adhesive tape (30~50mm) to stick the leader of cover tape on the side of reel.
- One reel can be loaded 1000 pcs connector.
- The label shall be pasted on the front side of reel (Refer FIG 3).
- Condition of 300mm per minute, the extraction strength of cover tape shall reach 20~150 gf.
- If the quantity is less than 6 reel in one carton, the packing shall be able to resist to shark.

RoHS Compliant

TOLERANCES ARE

MORETHANALL
PCB CONNECTORS
Cable ASSEMBLIES

DRAWING BY CY

X. ±

CHECKED BY GENIUS

.X ±

UNIT / mm

SCALE 1 : 1

.XX ±

DATE

.XXX ±

ANG ±

SIZE A4

PJECTION

照片框

ORDER INFORMATION

EJ-W15R-05C-LF
SERIES REEL LEADFREE
5P3C
POST 1.0+5.4mm
90°SMT

DESCRIPTION:

煜倫股份有限公司

www.morethanall.com