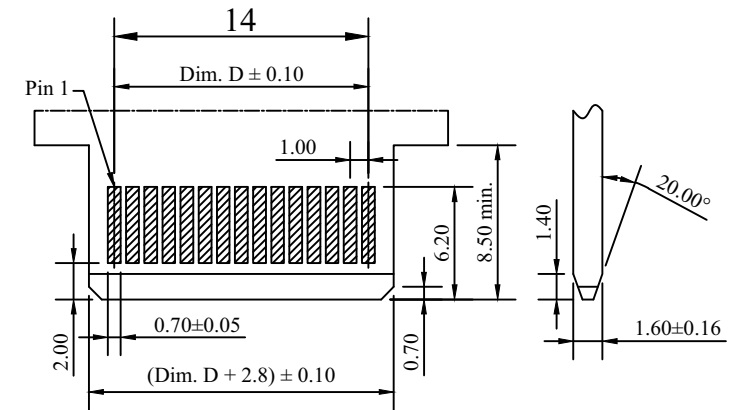
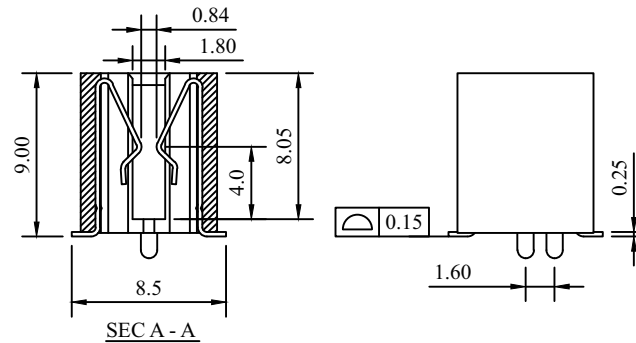
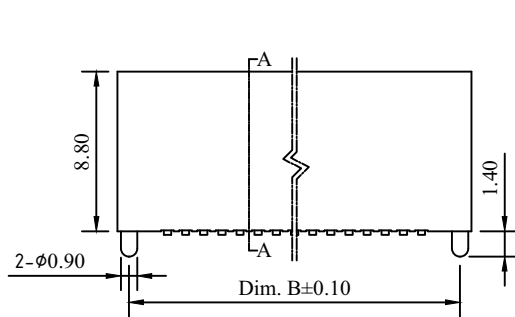


FEATURE

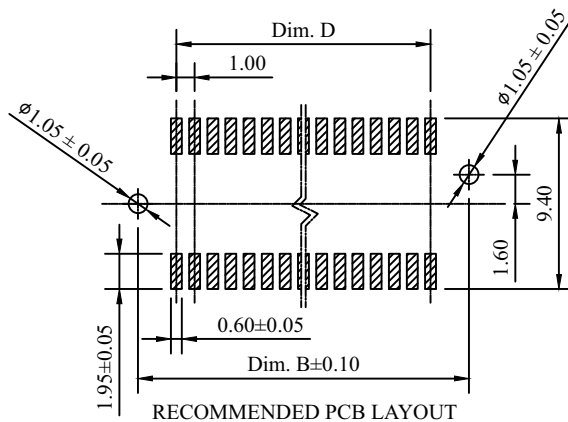
Insulator Material : LCP UL94V-0
Contact Material : Phosphor Bronze

SPECIFICATION

Current Rating : 1.1 Ampere
Contact Resistance : 30 milliohms maximum
Insulation Resistance : 1000 megohms minimum
Voltage Rating : 500 VAC RMS 1 minute
Operation Temperature Range : -55°C to +105°C



RECOMMENDED PCB LAYOUT



RECOMMENDED PCB LAYOUT

No. of Contacts	Dimensions (Dim.)				No. of Contacts	Dimensions (Dim.)			
	A	B	C	D		A	B	C	D
5/10	9.50	8.24	7.00	4.00	30/60	34.50	33.24	32.00	29.00
8/16	12.50	11.24	10.00	7.00	36/72	40.50	39.24	38.00	35.00
10/20	14.50	13.24	12.00	9.00	40/80	44.50	43.24	42.00	39.00
16/32	20.50	19.24	18.00	15.00	60/120	64.50	63.24	62.00	59.00
20/40	24.50	23.24	22.00	19.00	80/160	84.50	83.24	82.00	79.00

Polarization	
No. of Contacts	Polarized Positions (No Contact)
5/10	03, 04
8/16	05, 06
20/40	15, 16
30/60	21, 22
40/80	31, 32
60/120	31, 32, 63, 64

RoHS Compliant

TOLERANCES ARE

MORETHANALL
PCB CONNECTORS
Cable ASSEMBLIES

DRAWING BY CY

X. ± 0.50

CHECKED BY GENIUS

.X ± 0.25

UNIT / mm

SCALE 1 : 1

.XX ± 0.10

DATE

.XXX ±

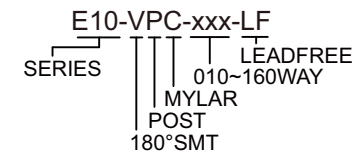
ANG ± 2°

SIZE A4

PJECTION

照片框

ORDER INFORMATION



煜倫股份有限公司

www.morethanall.com

DESCRIPTION: Pitch 1.00 mm Edge Card Connector SMT Type