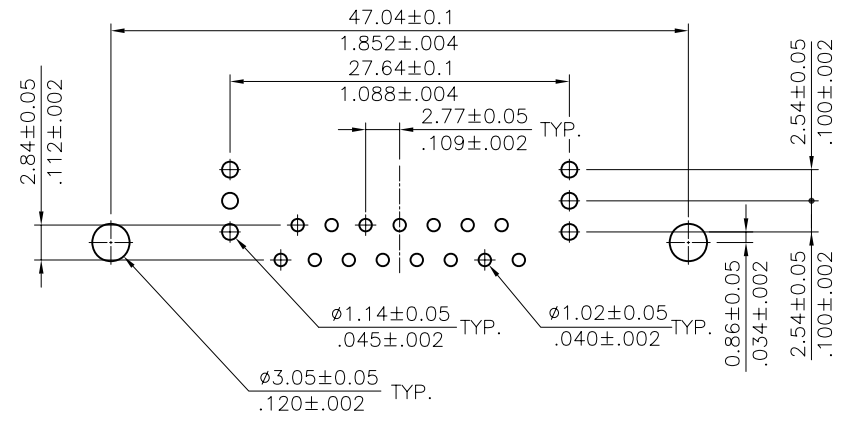


Material:
 Insulator: Glass filled Polyester UL 94V-0
 Contact: Copper alloy
 Shell: Steel, Tin plated as standard

Coaxial terminal
 Insulator: Teflon UL 94V-0
 Color white
 Contact: Brass



Recommended P.C Board Layout

RoHS Compliant

TOLERANCES ARE



DRAWING BY CY

CHECKED BY GENIUS

UNIT / mm SCALE 1:1

DATE

SIZE A4

X. ±
 .X ±
 .XX ±
 .XXX ±
 ANG ±

PJECTION

照片框

ORDER INFORMATION

DXR-S50ZN-17W2-LF
 SERIES NUT LEADFREE
 CLIP 17W2
 50 OHM FEMALE

DESCRIPTION:

煜倫股份有限公司

www.morethanall.com