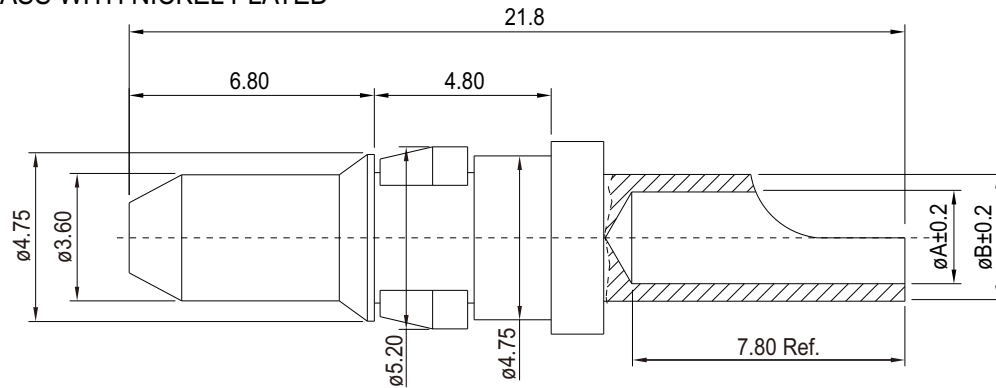


MATERIAL:

CONTACT : BRASS WITH GOLD PLATED
 LOCK LINK : BRASS WITH NICKEL PLATED



Current Rating	WIRE SIZE	Dimension	
		ϕA	ϕB
40 Amps	AWG #8	4.60	5.50
30 Amps	AWG #10	3.60	4.60
20 Amps	AWG #12	2.70	3.60
10 Amps	AWG #16	1.70	2.50
5 Amps	AWG #26	1.00	1.70

RoHS Compliant

TOLERANCES ARE

MORETHANALL
 PCB CONNECTORS
 Cable ASSEMBLIES

煜倫股份有限公司

www.morethanall.com

DRAWING BY CY

CHECKED BY GENIUS

UNIT / mm

SCALE 1 : 1

DATE

SIZE A4

X, \pm
 .X \pm
 .XX \pm
 .XXX \pm
 ANG \pm

PPOJECTION

照片框

ORDER INFORMATION

DWS-Sxx-02V2-LF

SERIES | LEADFREE
 | 02V2
 | 05~40 Amps
 FEMALE

DESCRIPTION: D-SUB POWER JACK 02V2