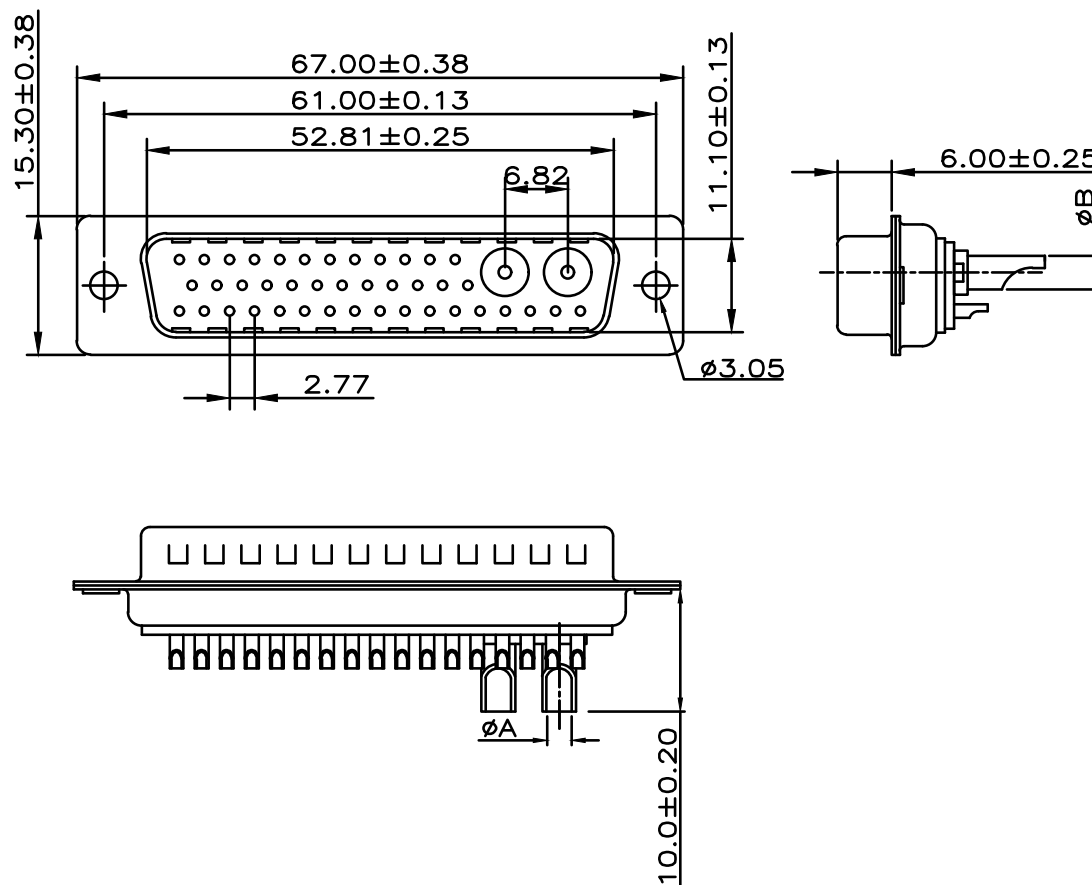


Table 1 Material	
Power Contact	Brass
Signal Contact	Brass
Metal Shell	Steel/Dimples on Plug only
Insulator	UL94V-0 Thermoplastic 30% glass filled

Table 2 Finish	
Power Contact	Gold-plated
Signal Contact	Gold-plated
Metal Shell	Tin or nickel plated

Table 3 Electrical Data	
Current Rating	
Signal Contact	5 Amp
Power Contact	10 - 40 Amp
Operating Temperature	-55°C - +125°C
Insulator Resistance	Minimum 5000 MΩ
Contact Resistance	Maximum 10mΩ
Dielectric w/standing Volt	1000 V AC per min

Table 4 Dimension & Current Rating			
Current Rating	Wire Size	Dimension	
		øA	øB
40 AMPS	AWG #8-10	ø4.6	ø5.5
30 AMPS	AWG #10-12	ø3.7	ø4.6
20 AMPS	AWG #12-14	ø2.7	ø3.6
10 AMPS	AWG #16-18	ø1.7	ø2.5



RoHS Compliant

TOLERANCES ARE

MORETHANALL
PCB CONNECTORS
Cable ASSEMBLIES

煜倫股份有限公司

www.morethanall.com

DRAWING BY CY

CHECKED BY GENIUS

UNIT/mm SCALE 1:1

DATE

SIZE A4

X, ±
.X ± 0.30
.XX ±
.XXX ±
ANG ±

PJECTION

照片框

ORDER INFORMATION

DWS-Pxx-43W2-LF

SERIES | LEADFREE
43W2
40:40Amps
30:30Amps
20:20Amps
10:10Amps
MALE

DESCRIPTION: D-SUB POWER SERIE 43W2 SOLDER TYPE