

J

I

H

G

F

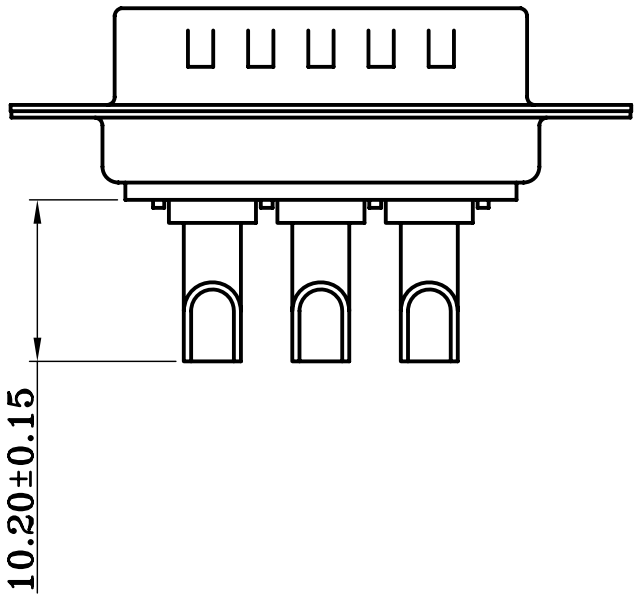
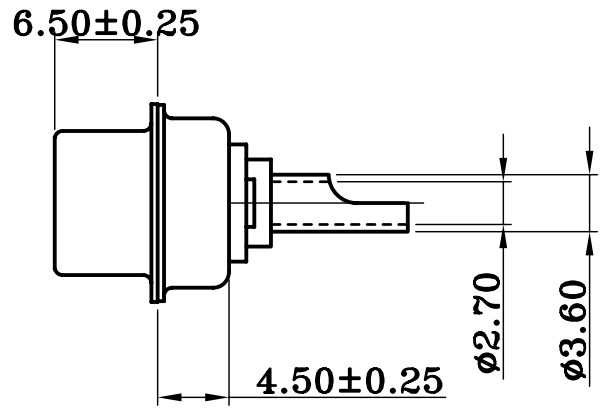
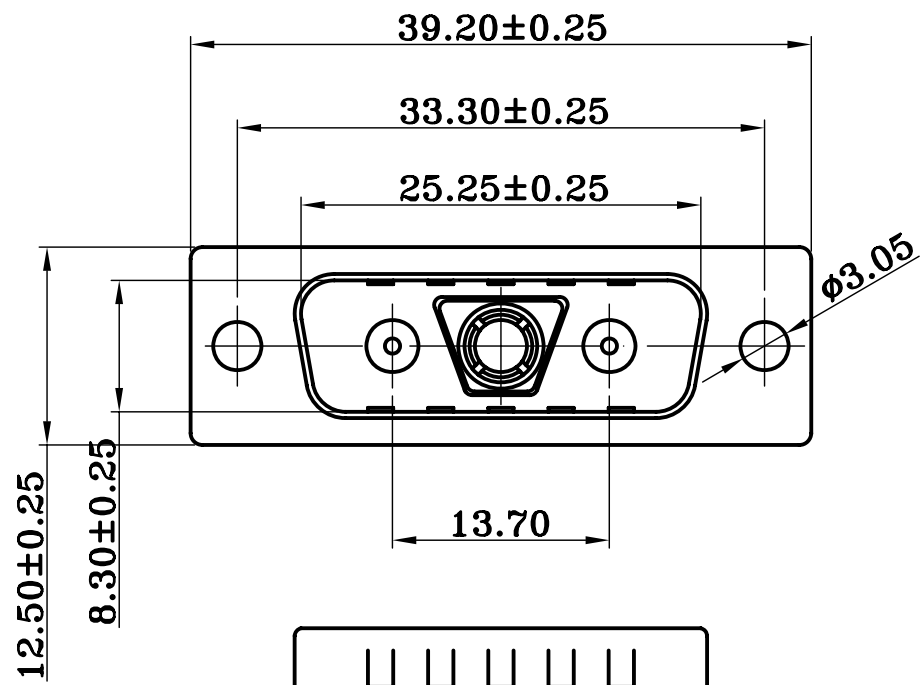
E

D

C

B

A



MATERIALS AND FINISH

SHELL : STEEL MATERIAL, TIN FINISHED
 DIMPLES ON PLUG ONLY
 CONNECTOR INSULATOR : PBT THERMOPLASTIC,
 30% GLASS FILLED, UL 94V-0 RATED, BLACK COLOR
 HIGH POWER CONTACT MATERIAL: BRASS, 15u" GOLD PLATED

ELECTRICAL CHARACTERISTICS

HIGH POWER CONTACT CURRENT RATING : .20 AMPS
 HIGH POWER CONTACT RESISTANCE : 2.7 MILLIOHMS MAX.
 DIELECTRIC WITHSTANDING VOLTAGE :
 1000 V AC FOR 1 MINUTE
 INSULATION RESISTANCE : 5000 MEGAOHMS MIN.
 TEMPERATURE RATING : -55°C ~ +125°C

DWS-P20-03V3-LF
 LEADFREE

RoHS Compliant



PART NO. DWS-P20-03V3

DWG NO. DWS-P20-03V3

FILE NO.

CHECKED BY CY

DRAWING BY

TOLERANCES ARE
 .X ± 0.2
 .XX ±
 .XXX ±
 AWG

DESCRIP TION:					
AREA	REVISIONS	HK	DATE		

煜倫股份有限公司

UNIT / mm SCALE 1:1

PROJECTION