

MATERIALS AND FINISH

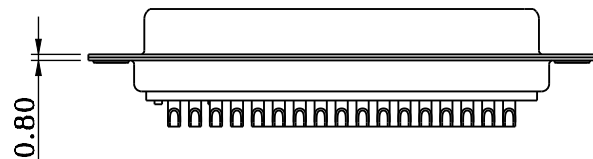
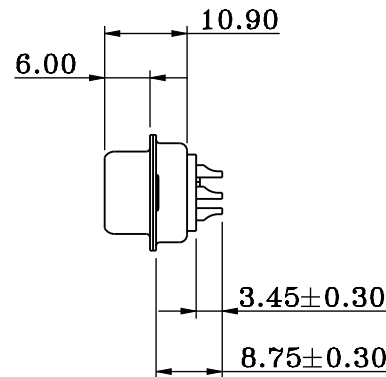
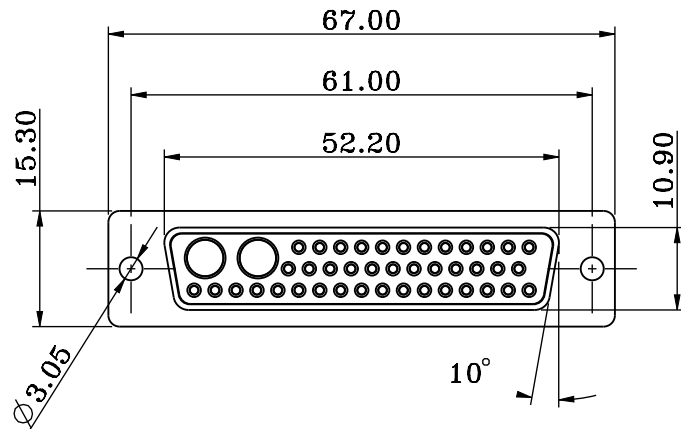
SHELL: STEEL MATERIAL, FRONT SHELL NICKEL FINISHED
 BACK SHELL NICKEL FINISHED
 DIMPLES ON PLUG ONLY

INSULATOR: PBT THERMOPLASTIC, 30% GLASS FILLED
 UL 94V-0 RATED, BLACK COLOR

CONTACT: PRECISION MACHINED COPPER ALLOY
 FULL GOLD FLASH

ELECTRICAL CHARACTERISTICS

CONTACT CURRENT RATING : 5.0 A
 CONTACT RESISTANCE : 10 mΩ MAX.
 DIELECTRIC WITHSTANDING VOLTAGE : 1000 V AC MIN.
 INSULATION RESISTANCE : 5GΩ MIN.
 TEMPERATURE RATING : -55°C ~ +125°C



RoHS Compliant

TOLERANCES ARE

MORETHANALL
 PCB CONNECTORS
 Cable ASSEMBLIES

煜倫股份有限公司

www.morethanall.com

DRAWING BY CY

CHECKED BY GENIUS

UNIT / mm

SCALE 1 : 1

DATE

SIZE A4

X. ± 0.40

.X ± 0.30

.XX ± 0.20

.XXX ± 0.10

ANG ± 5°

PJECTION

照片框

ORDER INFORMATION

DWS-P-43W2-LF
 SERIES | LEADFREE
 | 43W2
 MALE

DESCRIPTION: