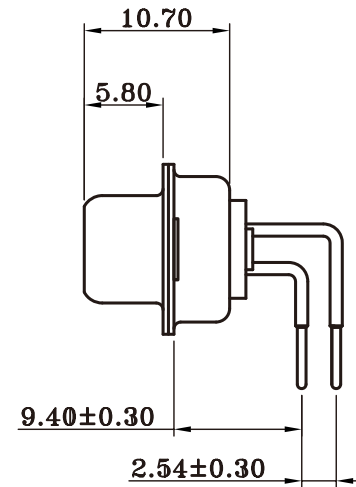


PCB LAYOUT



MATERIALS AND FINISH

SHELL : STEEL MATERIAL, FRONT SHELL TIN FINISHED
BACK SHELL TIN FINISHED

DIMPLES ON PLUG ONLY

INSULATOR : PBT THERMOPLASTIC, 30% GLASS FILLED,
UL 94V-0 RATED, BLACK COLOR

SIGNAL CONTACT : COPPER ALLOY, FULL GOLD FLASH

HIGH POWER CONTACT : COPPER ALLOY 15u" GOLD PLATED

ELECTRICAL CHARACTERISTICS

HIGH POWER CONTACT CURRENT RATING :40 AMPS

HIGH POWER CONTACT RESISTANCE : 1.0 mΩ MAX.

SIGNAL CONTACT CURRENT RATING : 5.0 AMPS

SIGNAL CONTACT RESISTANCE : 2.7 mΩ MAX.

DIELECTRIC WITHSTANDING VOLTAGE : 1000 V AC FOR 1 MINUTE

INSULATION RESISTANCE : 5GΩ MIN.

TEMPERATURE RATING : -55°C ~ +125°C

RoHS Compliant

TOLERANCES ARE

MORETHANALL
PCB CONNECTORS
Cable ASSEMBLIES

DRAWING BY CY

CHECKED BY GENIUS

UNIT / mm

SCALE 1 : 1

DATE

SIZE A4

PPOJECTION

X.±
.X±
.XX±
.XXX±
ANG±

照片框

ORDER INFORMATION

DWR-S-17W2-LF
SERIES | LEADFREE
17W2
FEMALE

煜倫股份有限公司

www.morethanall.com

DESCRIPTION: