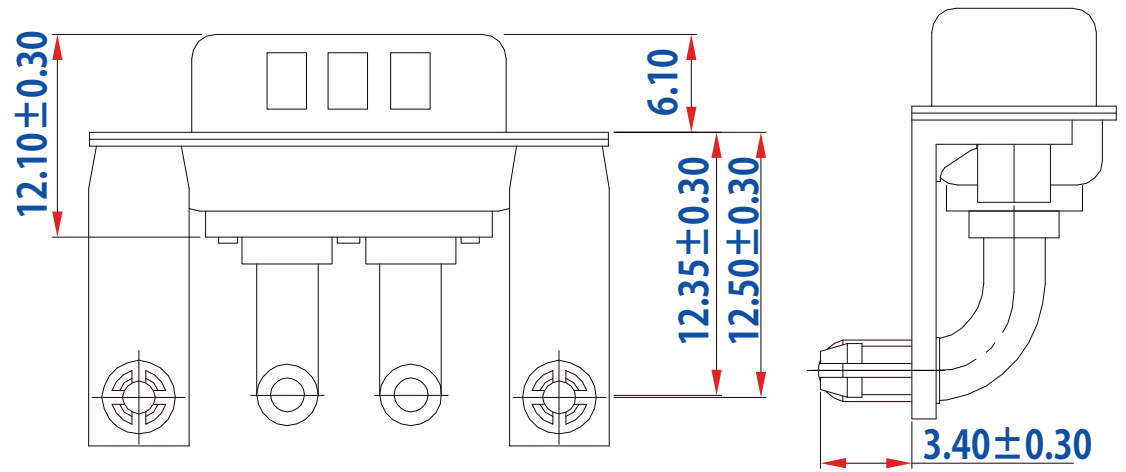


Recommended P.C.B Layout

Material and finish :  
Shell :

Insulator :  
Operating Temperature :  
Contact :  
Lock link :  
Contact surface :  
Current rating :  
Contact insertion force :  
Contact separation force :  
Contact resistance :  
Insulator resistance :  
Dielectric Withstanding Voltage :

Steel Material tin coat over nickel  
Thermoplastic polyester  
PBT UL 94V-0 color : Black  
55°C to + 125°C  
Brass  
Brass with nickel plated  
gold plated over nickel  
40A  
4.5KG Max  
0.3KG Min  
5 milliohms Max.  
5000 Megohms Min.  
AC 1000V for 1 minute



RoHS Compliant

TOLERANCES ARE

**MORETHANALL**  
PCB CONNECTORS  
Cable ASSEMBLIES

DRAWING BY CY

CHECKED BY GENIUS

UNIT / mm SCALE 1 : 1

DATE

SIZE A4

P PROJECTION

X, ±  
.X ±  
.XX ±  
.XXX ±  
ANG ±

照片框

ORDER INFORMATION

DWR-P40ZN32-02V2-LF  
SERIES  
MALE  
NUT  
CLIP  
40Amps  
02V2  
DIP 3.2mm  
LEADFREE

煜倫股份有限公司

www.morethanall.com

DESCRIPTION: