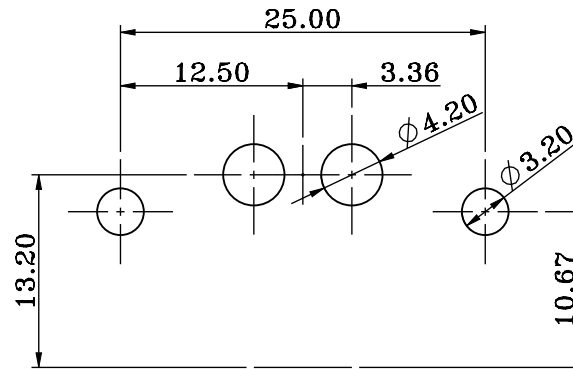
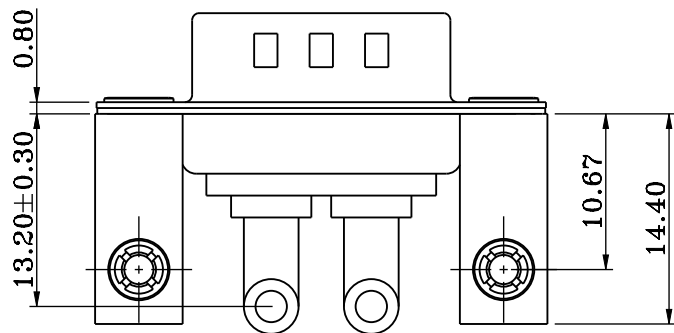


**MATERIALS AND FINISH**

SHELL: STEEL MATERIAL, FRONT SHELL NICKEL FINISHED  
 BACK SHELL NICKEL FINISHED  
 DIMPLES ON PLUG ONLY  
 INSULATOR: PBT THERMOPLASTIC, 30% GLASS FILLED,  
 UL 94V-0 RATED, BLACK COLOR  
 CONTACT: COPPER ALLOY, FULL GOLD FLASH

**ELECTRICAL CHARACTERISTICS**

HIGH POWER CONTACT CURRENT RATING: 40 A  
 HIGH POWER CONTACT RESISTANCE: 1.0 mΩ MAX.  
 DIELECTRIC WITHSTANDING VOLTAGE: 1000 V AC FOR 1 MINUTE  
 INSULATION RESISTANCE: 5GΩ MIN.  
 TEMPERATURE RATING: -55°C ~ +125°C



P.C.B. LAYOUT

RoHS Compliant

TOLERANCES ARE

**MORETHANALL**  
 PCB CONNECTORS  
 Cable ASSEMBLIES  
 煜倫股份有限公司

DRAWING BY CY

X. ± 0.40

CHECKED BY GENIUS

.X ± 0.30

UNIT / mm

SCALE 1 : 1

.XX ± 0.20

DATE

.XXX ± 0.10

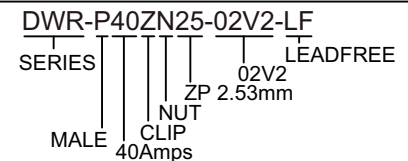
ANG ± 5°

SIZE A4

P PROJECTION

照片框

ORDER INFORMATION



www.morethanall.com

DESCRIPTION: