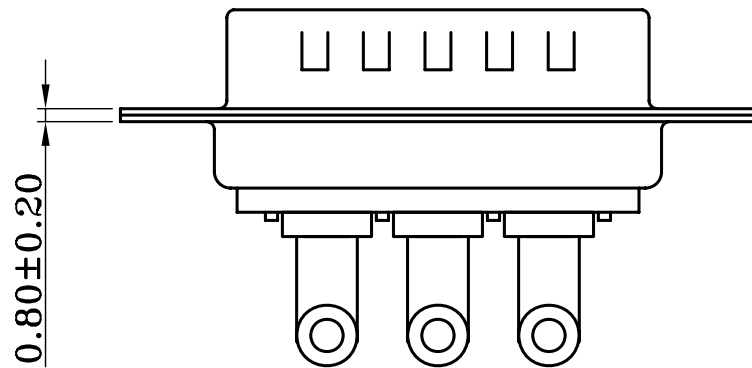


PCB LAYOUT



MATERIALS AND FINISH

SHELL : STEEL MATERIAL, FRONT SHELL TIN FINISHED
 BACK SHELL TIN FINISHED
 DIMPLES ON PLUG ONLY

INSULATOR : PBT THERMOPLASTIC, 30% GLASS FILLED,
 UL 94V-0 RATED, BLACK COLOR

HIGH POWER CONTACT : COPPER ALLOY 15u" GOLD PLATED

ELECTRICAL CHARACTERISTICS

HIGH POWER CONTACT CURRENT RATING : 40 AMPS

HIGH POWER CONTACT RESISTANCE : 1.0 mΩ MAX.

DIELECTRIC WITHSTANDING VOLTAGE : 1000 V AC FOR 1 MINUTE

INSULATION RESISTANCE : 5GΩ MIN.

TEMPERATURE RATING : -55°C ~ +155°C

RoHS Compliant

TOLERANCES ARE

MORETHANALL
 PCB CONNECTORS
 Cable ASSEMBLIES

煜倫股份有限公司

www.morethanall.com

DRAWING BY CY

CHECKED BY GENIUS

UNIT / mm SCALE 1 : 1

DATE

SIZE A4

X.±
 .X±
 .XX±
 .XXX±
 ANG±

PJECTION

照片框

ORDER INFORMATION

DWR-P40-03W3-LF

SERIES | 40AMP | 03W3 | LEADFREE
 MALE

DESCRIPTION: