

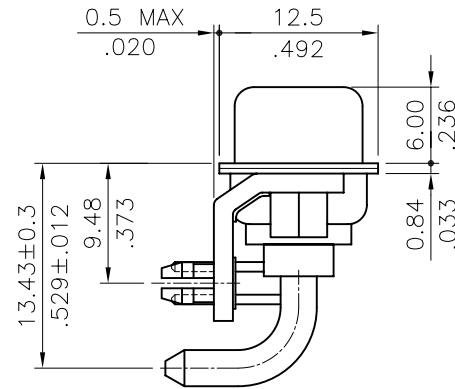
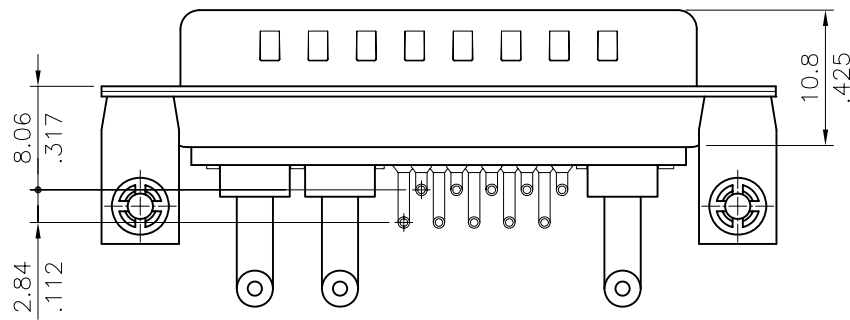
Material:

Insulator: Glass filled Polyester UL 94V-0

Contact: Copper alloy

Shell: Steel, Tin plated as standard

High power Contact : Brass with Gold plated



RoHS Compliant

TOLERANCES ARE

MORETHANALL
PCB CONNECTORS
Cable ASSEMBLIES

DRAWING BY CY

CHECKED BY GENIUS

UNIT / mm

SCALE 1 : 1

DATE

SIZE A4

PJECTION

X. ±
.X ±
.XX ±
.XXX ±
ANG ±

照片框

ORDER INFORMATION

DWR-P20ZN-13W3-LF
SERIES | LEADFREE
13W3
CLIP+NUT
20AMP
MALE

煜倫股份有限公司

www.morethanall.com

DESCRIPTION: