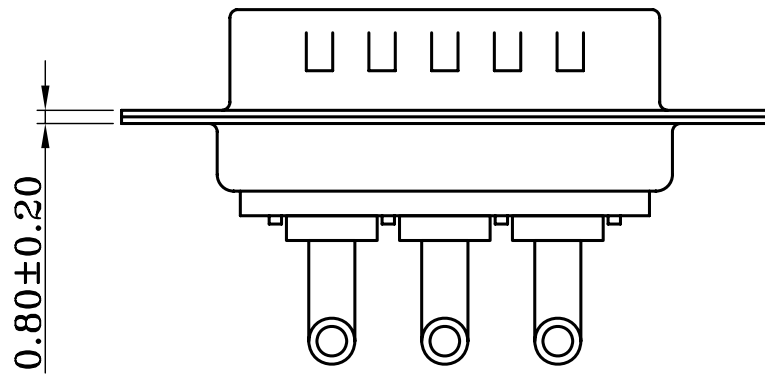


PCB LAYOUT



**MATERIALS AND FINISH**

SHELL : STEEL MATERIAL, FRONT SHELL TIN FINISHED

BACK SHELL TIN FINISHED

DIMPLES ON PLUG ONLY

INSULATOR : PBT THERMOPLASTIC, 30% GLASS FILLED,

UL 94V-0 RATED, BLACK COLOR

HIGH POWER CONTACT : COPPER ALLOY 8u" GOLD PLATED

**ELECTRICAL CHARACTERISTICS**

HIGH POWER CONTACT CURRENT RATING : 20 AMPS

HIGH POWER CONTACT RESISTANCE : 1.0 mΩ MAX.

DIELECTRIC WITHSTANDING VOLTAGE : 1000 V AC FOR 1 MINUTE

INSULATION RESISTANCE : 5GΩ MIN.

TEMPERATURE RATING : -55°C ~ +155°C

RoHS Compliant

TOLERANCES ARE

**MORETHANALL**  
PCB CONNECTORS  
Cable ASSEMBLIES

煜倫股份有限公司

www.morethanall.com

DRAWING BY CY

CHECKED BY GENIUS

UNIT / mm

SCALE 1 : 1

DATE

SIZE A4

PJECTION

X.±  
.X±  
.XX±  
.XXX±  
ANG ±

照片框

ORDER INFORMATION

DWR-P20-03W3-LF

SERIES | 20AMP | 03W3 | LEADFREE  
MALE

DESCRIPTION: