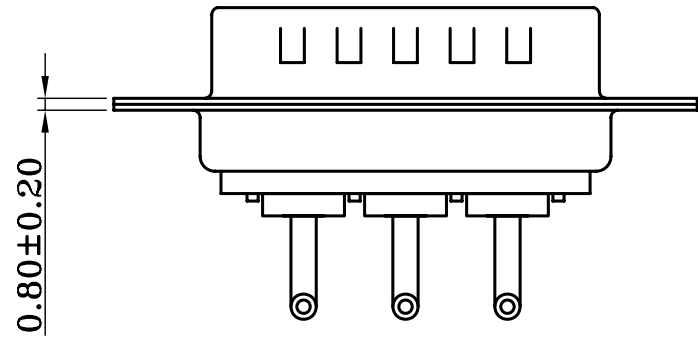


PCB LAYOUT



MATERIALS AND FINISH
 SHELL : STEEL MATERIAL, FRONT SHELL TIN FINISHED
 BACK SHELL TIN FINISHED
 DIMPLES ON PLUG ONLY
 INSULATOR : PBT THERMOPLASTIC, 30% GLASS FILLED,
 UL 94V-0 RATED, BLACK COLOR
 HIGH POWER CONTACT : COPPER ALLOY 15u" GOLD PLATED

ELECTRICAL CHARACTERISTICS
 HIGH POWER CONTACT CURRENT RATING : 10 AMPS
 HIGH POWER CONTACT RESISTANCE : 1.0 mΩ MAX.
 DIELECTRIC WITHSTANDING VOLTAGE : 1000 V AC FOR 1 MINUTE
 INSULATION RESISTANCE : 5GΩ MIN.
 TEMPERATURE RATING : -55°C ~ +155°C

RoHS Compliant

TOLERANCES ARE



煜倫股份有限公司

www.morethanall.com

DRAWING BY CY
 CHECKED BY GENIUS
 UNIT / mm SCALE 1:1
 DATE

X. ±
 .X ±
 .XX ±
 .XXX ±
 ANG ±

SIZE A4 PROJECTION



ORDER INFORMATION

DWR-P10-03W3-LF
 SERIES | | LEADFREE
 | | 03W3
 | 10AMP
 MALE

DESCRIPTION: