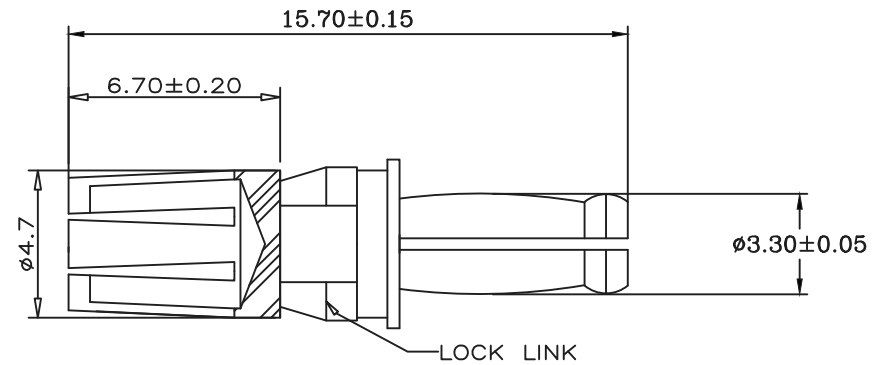


1 2 3 4 5 6 7 8 9 0

J
I
H
G
F
E
D
C
B
A

Table 1 For Socket			
NO.	DESCRIPTION	MATERIAL	FINISH OR OTHER
1	Body	Brass	Gold flash or Gold plated over 1.27um (50u") Nickel
2	LOCK LINK	Brass	Nickel plated



DWP-F-40-LF
LEADFREE
RoHS Compliant

	PART NO. DWP-F-40		TOLERANCES ARE X. ± .X ± .XX ± .XXX ± ANG	DESCRIPTION:			
	DWG NO. DWP-F-40						
焯倫股份有限公司	FILE NO.		DRAWING BY	AREA	REVISIONS	DATE	
	UNIT / mm	SCALE 1:1	PROJECTION				