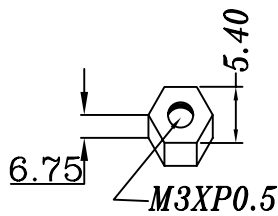
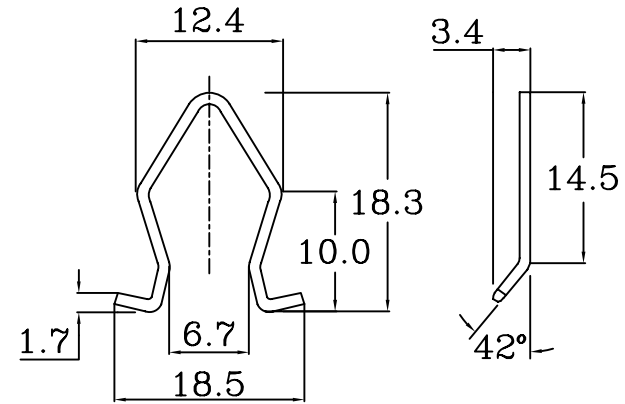


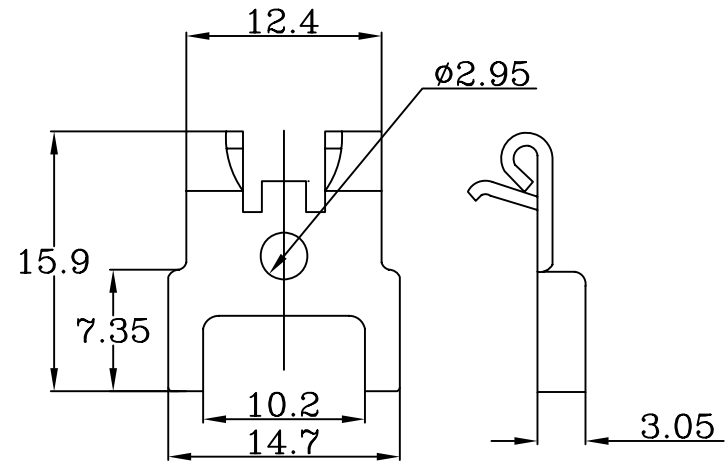
Slot Screw*4PCS
Material:Steel, Zinc-Plated



Hex Nut*4PCS
Material:Steel, Zinc-Plated



Spring Latch*2PCS
Material:Stainless, Steel, $\phi 0.95$



Latch Post*2PCS
Material:Steel, Zinc-Plated

MORETHANALL
CONNECTORS
ASSEMBLIES

PART NO. DWL-S-0937

DWG NO. DWL-S-0937

CHECKED BY CY

TOLERANCES ARE

DESCRIPTION:

FILE NO.

DRAWING BY

.X ± 0.2
.XX \pm
.XXX \pm
AWG

AREA

REVISIONS

HK

DATE

焜倫股份有限公司

UNIT / mm

SCALE 1:1

PROJECTION

