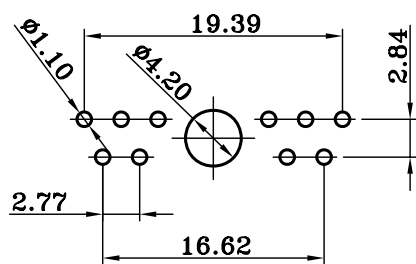
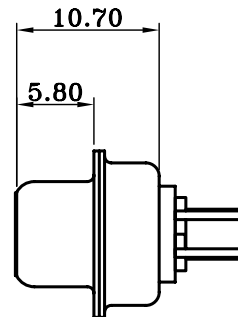
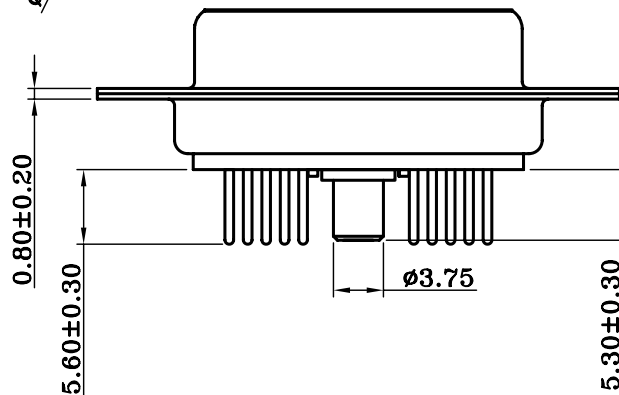


Ø3.05



PCB LAYOUT

MATERIALS AND FINISH

SHELL : STEEL MATERIAL, FRONT SHELL TIN FINISHED
 BACK SHELL TIN FINISHED
 DIMPLES ON PLUG ONLY

INSULATOR : PBT THERMOPLASTIC, 30% GLASS FILLED,
 UL 94V-0 RATED, BLACK COLOR

SIGNAL CONTACT : COPPER ALLOY, 30u" GOLD PLATED

HIGH POWER CONTACT : COPPER ALLOY, 50u" GOLD PLATED

ELECTRICAL CHARACTERISTICS

HIGH POWER CONTACT CURRENT RATING :40 AMPS

HIGH POWER CONTACT RESISTANCE : 1.0 mΩ MAX.

SIGNAL CONTACT CURRENT RATING : 7.5 AMPS

SIGNAL CONTACT RESISTANCE : 2.7 mΩ MAX.

DIELECTRIC WITHSTANDING VOLTAGE : 1000 V AC FOR 1 MINUTE

INSULATION RESISTANCE : 5GΩ MIN.

TEMPERATURE RATING : -55°C ~ +125°C

RoHS Compliant

TOLERANCES ARE

MORETHANALL
 PCB CONNECTORS
 Cable ASSEMBLIES

DRAWING BY CY

CHECKED BY GENIUS

UNIT / mm

SCALE 1 : 1

DATE

SIZE A4

PJECTION

X.±
 .X±
 .XX±
 .XXX±
 ANG±

照片框

ORDER INFORMATION

DWD-S40-11W1-LF
 SERIES | LEADFREE
 | 11W1
 | 20 AMPS
 FEMALE

DESCRIPTION:

煜倫股份有限公司

www.morethanall.com