

Table 1 Material	
Power Contact	Brass
Metal Shell	Steel/Dimples on Plug only
Insulator	UL94V-0 Thermoplastic 30% glass filled
Boardlock	Brass

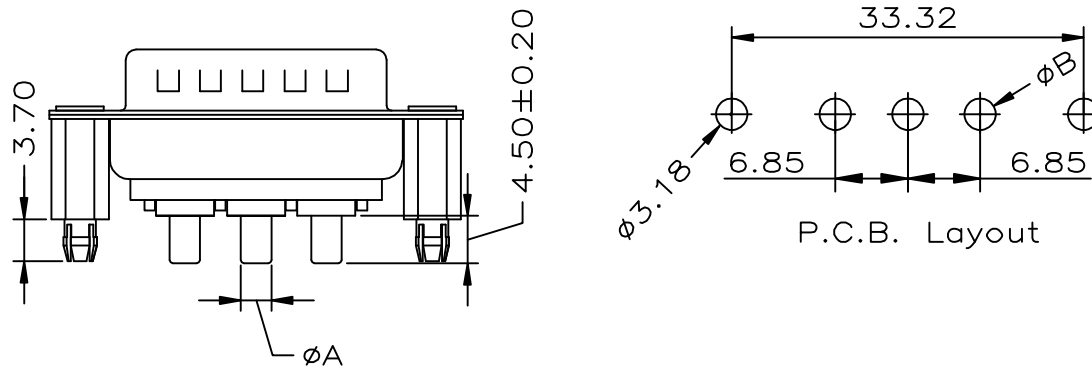
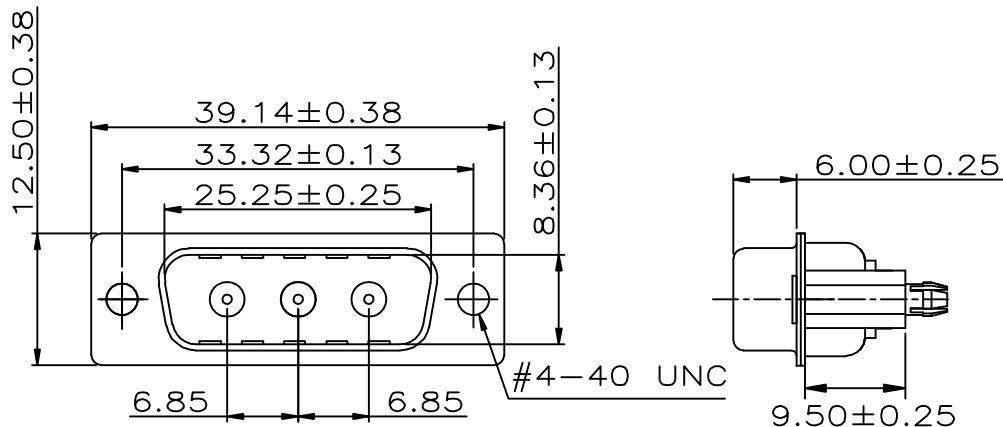
Table 2 Finish	
Power Contact	Gold-plated
Metal Shell	Tin or nickel plated
Boardlock	Nickel plated

Table 3 Electrical Data	
Current Rating	
Power Contact	10 - 40 Amp
Operating Temperature	-55°C - +125°C
Insulator Resistance	Minimum 5000 MΩ
Contact Resistance	Maximum 10mΩ
Dielectric w/standing Volt	1000 V AC per min

Table 4 Dimension & Current Rating		
Current Rating	Dimension	
	øA	øB
40 AMPS	ø3.75	ø4.20
30 AMPS	ø3.20	ø3.65
20 AMPS	ø2.80	ø3.28
15 AMPS	ø2.00	ø2.50
10 AMPS	ø1.70	ø2.20

DWD-PxxZ95-03W3-LF
LEADFREE
40:40AMP
30:30AMP
20:20AMP
15:15AMP
10:10AMP

RoHS Compliant



MORETHANALL
CONNECTORS
ASSEMBLIES

煜倫股份有限公司

PART NO. DWD-PxxZ95-03W3		CHECKED BY CY	TOLERANCES ARE .X ± 0.2 .XX ± .XXX ± AWG	DESCRIPTION:			
DWG NO. DWD-PxxZ95-03W3							
FILE NO.		PROJECTION	AREA	REVISIONS	HK	DATE	
UNIT / mm	SCALE 1:1						