

1 2 3 4 5 6 7 8 9 0

J

I

H

G

F

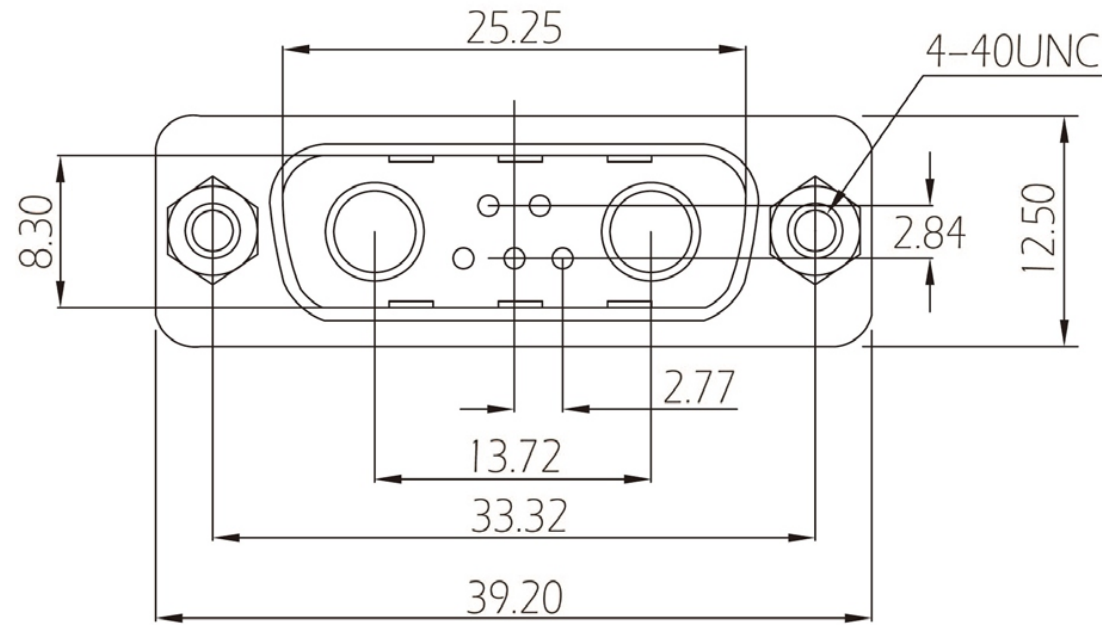
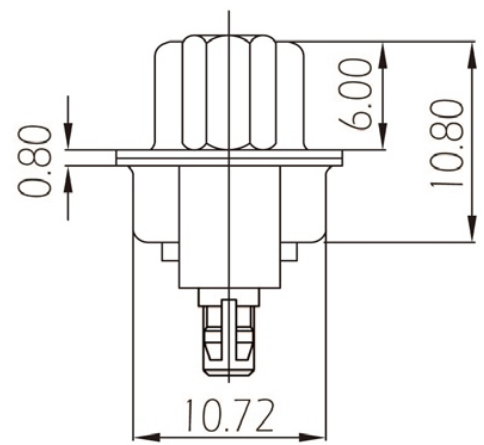
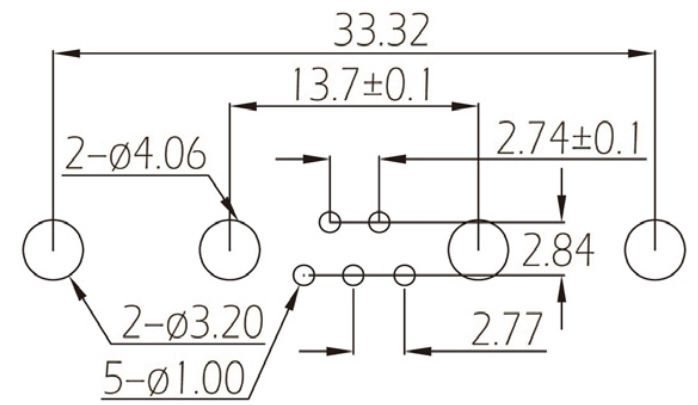
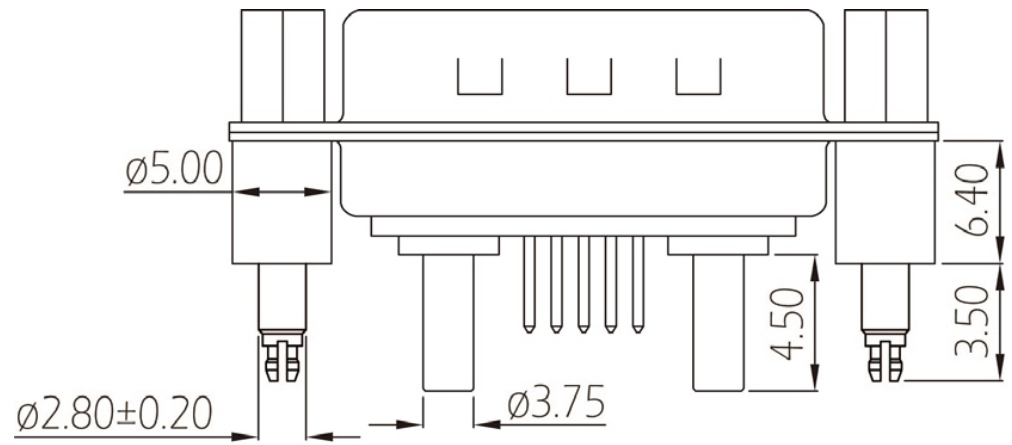
E

D

C

B

A



DWD-P40Z64J-07W2-LF
LEADFREE

RoHS Compliant



PART NO. DWD-P40Z64J-07W2

DWG NO. DWD-P40Z64J-07W2

CHECKED BY CY

TOLERANCES ARE

DESCRIPTION:

FILE NO.

DRAWING BY

.X ± 0.2
.XX ±
.XXX ±
AWG

AREA	REVISIONS	HK	DATE
------	-----------	----	------

焯倫股份有限公司

UNIT / mm

SCALE 1:1

PROJECTION