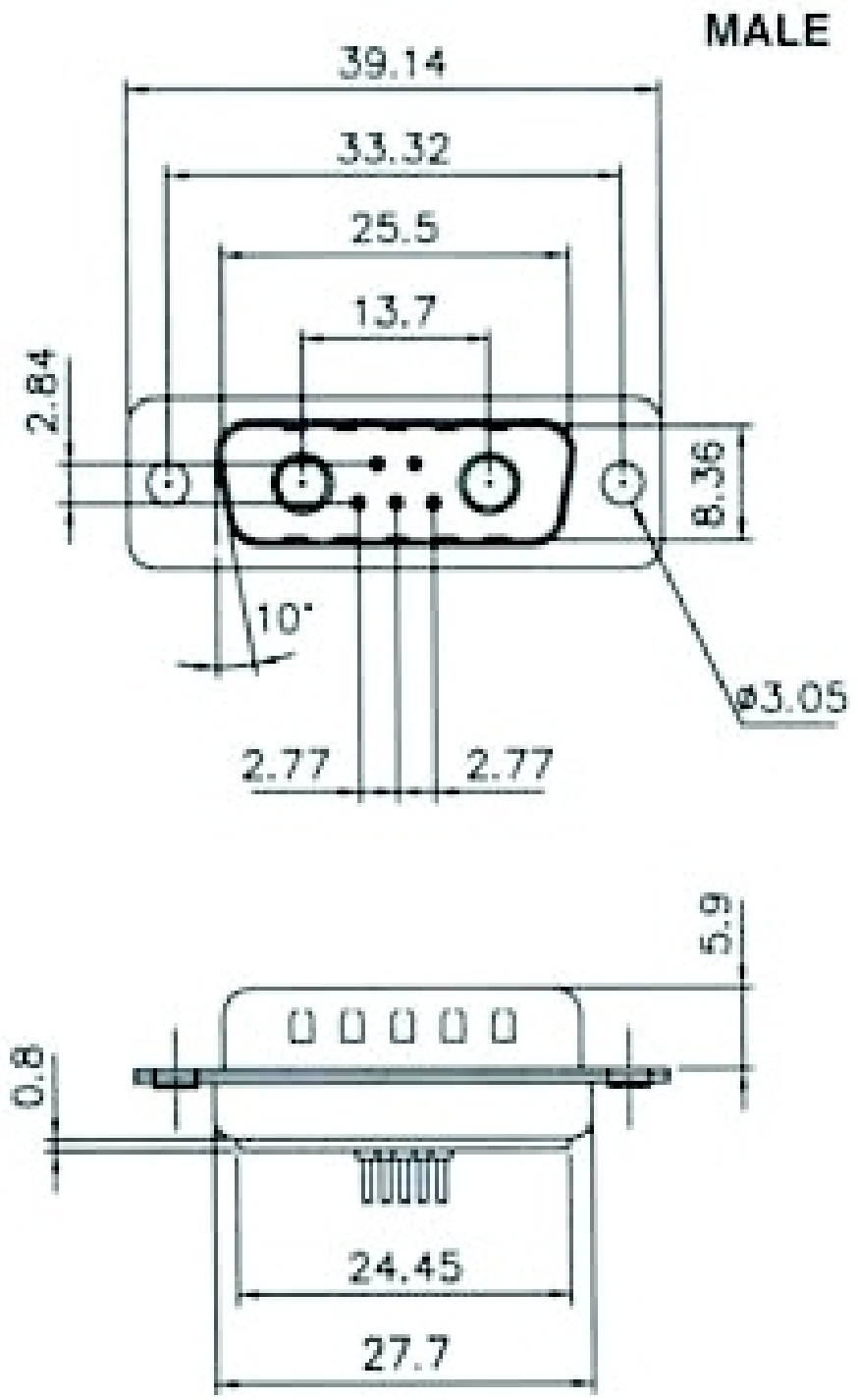


DWD-P-07W2-LF
LEADFREE
RoHS Compliant



SPECIFICATIONS :

Electrical Characteristics :

- Contact Current Rating : 3 Amperes.
- Dielectric Withstanding Voltage : AC 1000V r.m.s
- Insulation Resestance : 5000 Megohms Minimum.
- Contact Resestance : 30 Milohms Maximum.
- Operating Temperature : -55°C TO +125°C

Mechanical Charateristics :

- Contact insertion Force : 4.5Kg Maximum.
- Contact separator Force : 0.3Kg Minimum.

Materials :

- Contacts : Brass
- Insulator : PBT UL 94V-0 Rated
- Shell : STEEL

Finishes :

- Shell : TIN Plated



PART NO. DWD-P-07W2	CHECKED BY CY	TOLERANCES ARE .X ± 0.2 .XX ± 0.1 .XXX ± AWG	DESCRIP TION: D-SUB P.C.B. STRAIGHT TYPE 7W2P (COAXIAL/POWER)			
			DWG NO. DWD-P-07W2			
FILE NO.	DRAWING BY	PROJECTION	AREA	REVISIONS	HK	DATE
UNIT / mm	SCALE 1:1					

煜倫股份有限公司