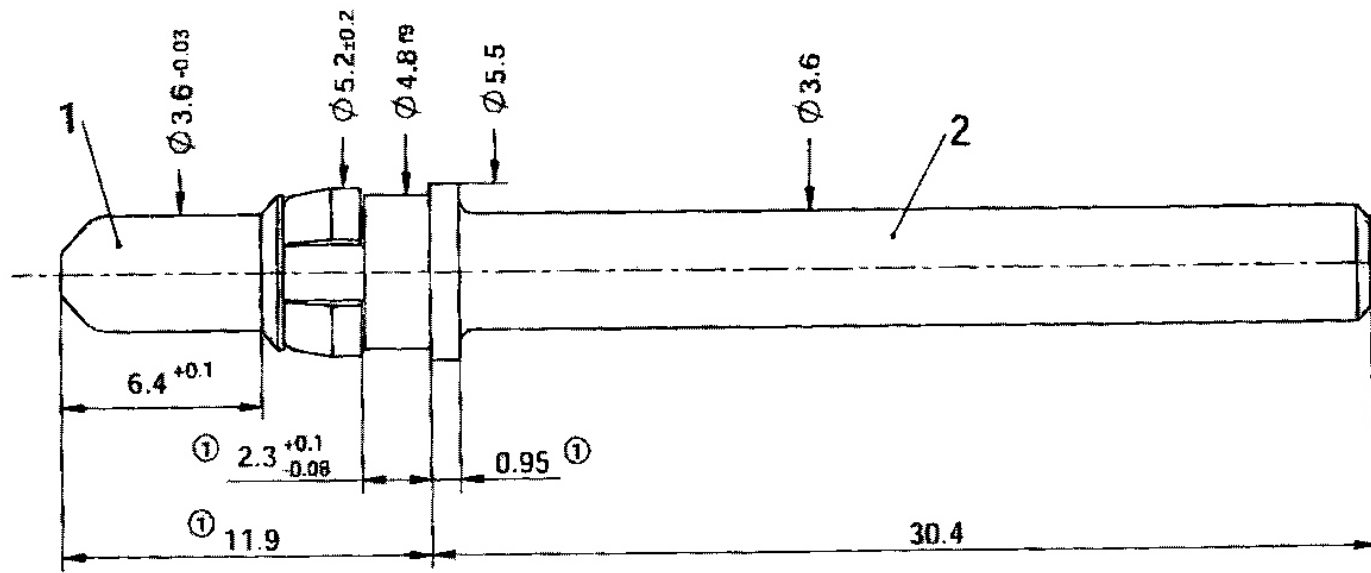
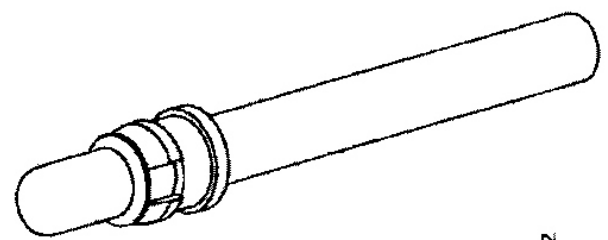


1 2 3 4 5 6 7 8 9 0

J
I
H
G
F
E
D
C
B
A



M MORETHANALL
CONNECTORS
ASSEMBLIES

PART NO. **DWD-ML423-40**

DWG NO. **DWD-ML423-40**

CHECKED BY CY

TOLERANCES ARE

DESCRIP TION:

FILE NO.

DRAWING BY

.X ± 0.2
.XX ±
.XXX ±
AWG

AREA REVISIONS HK DATE

煜倫股份有限公司

UNIT / mm

SCALE 1:1

PROJECTION

AREA

REVISIONS

HK

DATE