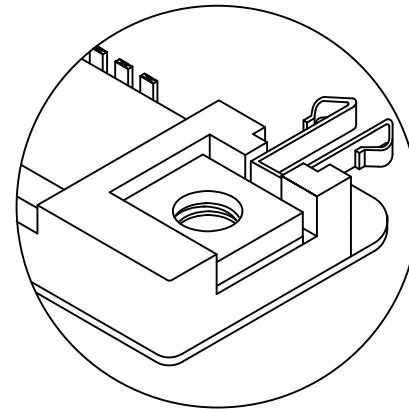
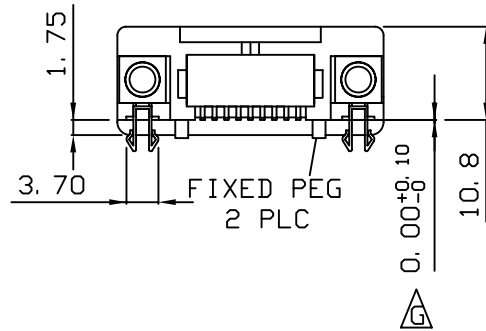
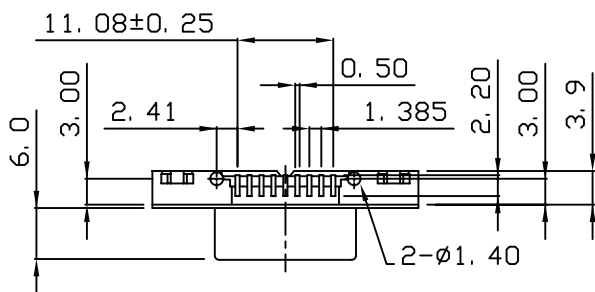


Material And Finish
 Shell -Steel zinc plated or tin plated
 Bracket-Brass strip-H nickel plated
 Screw-Brass nickel plated
 Insulator-NYLON 6T fiber reinforced UL-94V0,color black
 Contact Material- Socket-Phosphor bronze
 Duplex plated as follows:
 A-.000030[.00076]gold on mating end, tin-lead on termination end, with entire contact nickel
 B-.000015[.00038]gold on mating end, tin-lead on termination end, with entire contact nickel
 C-Gold flash on mating end, tin-lead on termination end, with entire contact nickel

Specifications
 Rated current 5A
 Rated Voltage 300V DC
 Withstanding Voltage 500V(r.m.s) AC for 1 minute
 Insulation Resistance more than 1000M ohm at 500V DC
 Contact Resistance 13m ohm Max
 Dielectric Strength 1000V AC Min for 1 minute
 Temperature -55 °C~+105 °C



Fork Board Lock Type



RoHS Compliant

TOLERANCES ARE

MORETHANALL
 PCB CONNECTORS
 Cable ASSEMBLIES

煜倫股份有限公司

www.morethanall.com

DRAWING BY CY

CHECKED BY GENIUS

UNIT/mm

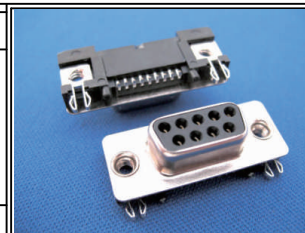
SCALE 1:1

DATE

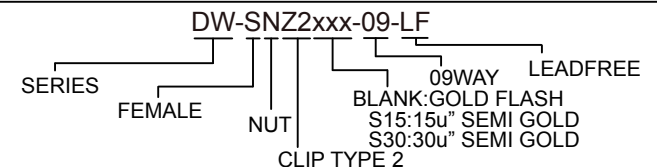
SIZE A4

PJECTION

X.±
 .X±
 .XX±
 .XXX±
 ANG±



ORDER INFORMATION



DESCRIPTION: D SUB RIGHT ANGLE SURFACE-MOUNT CONNECTORS DSMT1-SERIES LOW PROFILE 9 POST FEMALE