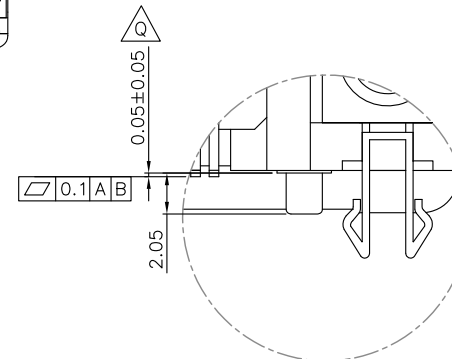
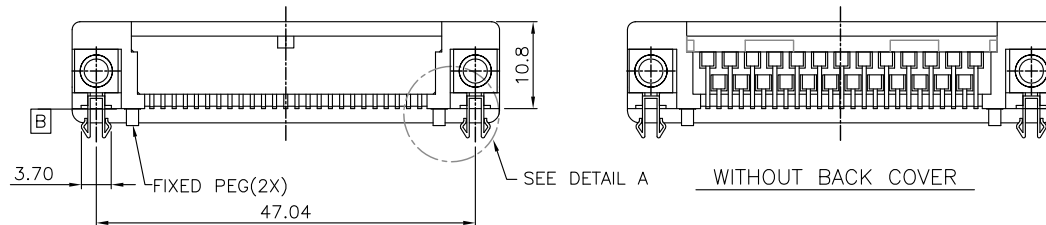
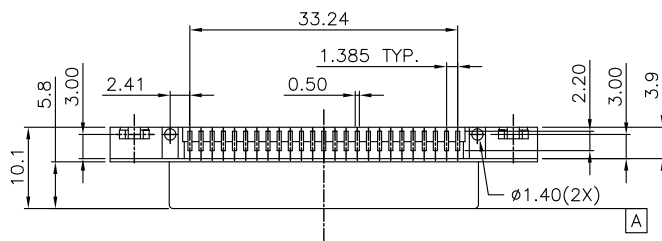


- NOTES:
- MATERIAL:
 - HOUSING:HIGH TEMP THERMOPLASTIC,UL94V-0
 - TERMINAL:PHOSPHOR BRONZE
 - METAL SHELL:SPCC
 - BOARD LOCK & NUT:BRASS
 - PLATING:
 - TERMINAL:
 - CONTACT AREA:SELECTIVE GOLD(Au) PLATING
 - SOLDER TAIL:TIN(Sn),THICKNESS=100 MICROINCH MIN.(2.54 MICROINCH MIN.)
 - UNDER PLATE:NICKEL(Ni),THICKNESS=50 MICROINCH MIN.(1.27 MICROMETER MIN.)
 - METAL SHELL:
 - NICKEL(Ni),THICKNESS=80 MICROINCH MIN.(2.032 MICROMETER MIN.)
 - UNDER PLATE:COPPER(Cu),THICKNESS=40 MICROINCH MIN.(1.016 MICROMETER MIN.)
 - BOARD LOCK:
 - TIN(Sn),THICKNESS=80 MICROINCH MIN.(2.032 MICROMETER MIN.)
 - UNDER PLATE:NICKEL(Ni),THICKNESS=50 MICROINCH MIN.(1.27 MICROMETER MIN.)
 - NUT:NICKEL(Ni),THICKNESS=50 MICROINCH MIN.(1.27 MICROMETER MIN.)
 - RECOMMENDED PCB THICKNESS:1.60±0.05mm

PIN NUMBER:
 1 14 2 15 3 16 4 17 5 18 6 19 7 20 8 21 9 22 10 23 11 24 12 25 13
 RECOMMENDED PCB LAYOUT
 TOLERANCE:±0.05(TOP VIEW)



DETAIL A
SCALE 3:1



RoHS Compliant

TOLERANCES ARE

MORETHANALL
PCB CONNECTORS
Cable ASSEMBLIES

DRAWING BY CY

X, ±

CHECKED BY GENIUS

.X ± 0.30

UNIT / mm

SCALE 1 : 1

.XX ± 0.20

DATE

.XXX ± 0.10

ANG ± 3°

SIZE A4

P PROJECTION

照片框

ORDER INFORMATION

DW-SNZ2-25-LF
 SERIES | LEADFREE
 | 25 WAY
 | CLIP
 | NUT
 | FEMALE

煜倫股份有限公司

www.morethanall.com

DESCRIPTION: D SUBMINIATURE, RIGHT ANGLE
SURFACE-MOUNT LOW PROFILE 25 POSITION, FEMALE