

PIN NUMBER:  
5 9 4 8 3 7 2 6 1

RECOMMENDED PCB LAYOUT

NOTES:

1.MATERIAL:

HOUSING:NYLON 6T,30% GLASS FILLED,UL94-V0  
COLOR:BLACK OR TURQUOISE

TERMINAL:0.25mm THICKNESS,PHOSPHOR BRONZE C519H  
METAL SHELL:0.40mm THICKNESS,SPCC  
BOARD LOCK & NUT & SCREW:BRASS

2.PLATING:

TERMINAL:

CONTACT AREA:SELECTIVE GOLD(Au) PLATING

SOLDER TAIL:N/A-SERIES:TIN-LEAD(Sn-Pb) ALLOY,THICKNESS=75 MICROINCH MINIMUM  
ROHS-SERIES:TIN(Sn),THICKNESS=100 MICROINCH MINIMUM

UNDER PLATE:NICKEL(Ni),THICKNESS=50 MICROINCH MIN./1.27 MICROMETER MIN.

METAL SHELL:

N/A-SERIES:TIN(Sn),THICKNESS=80 MICROINCH MIN./2.032 MICROMETER MIN.

NICKEL(Ni),THICKNESS=50 MICROINCH MIN./1.27 MICROMETER MIN.

UNDER PLATE:COPPER(Cu),THICKNESS=50 MICROINCH MIN./1.27 MICROMETER MIN.

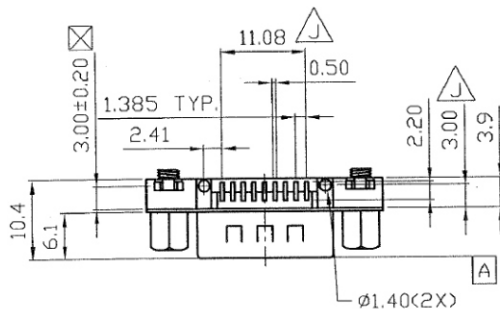
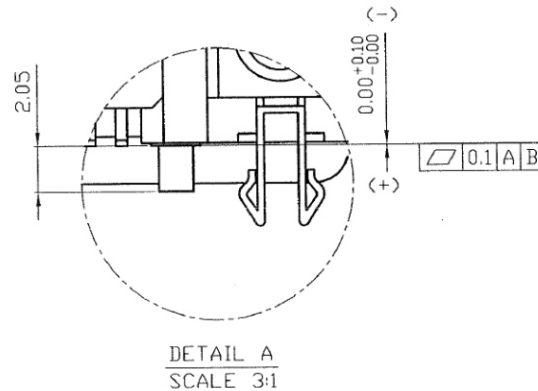
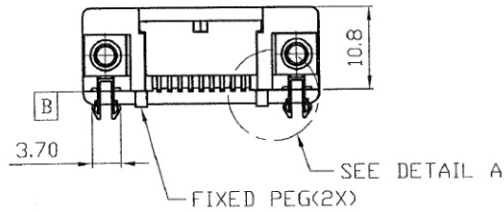
ROHS-SERIES:NICKEL(Ni),THICKNESS=80 MICROINCH MIN./2.032 MICROMETER MIN.

UNDER PLATE:COPPER(Cu),THICKNESS=40 MICROINCH MIN./1.016 MICROMETER MIN.

BOARD LOCK:TIN(Sn),THICKNESS=50 MICROINCH MIN./1.27 MICROMETER MIN.

NUT & SCREW:NICKEL(Ni),THICKNESS=50 MICROINCH MIN./1.27 MICROMETER MIN.

3.RECOMMENDED PCB THICKNESS:1.60+/-0.05mm



RoHS Compliant

TOLERANCES ARE

**MORETHANALL**  
PCB CONNECTORS  
Cable ASSEMBLIES

DRAWING BY CY

CHECKED BY GENIUS

UNIT / mm

SCALE 1:1

DATE

SIZE A4

X.±

.X±

.XX±

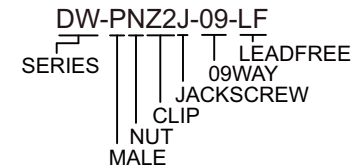
.XXX±

ANG±

PPOJECTION

照片框

ORDER INFORMATION



DESCRIPTION:

煜倫股份有限公司

www.morethanall.com