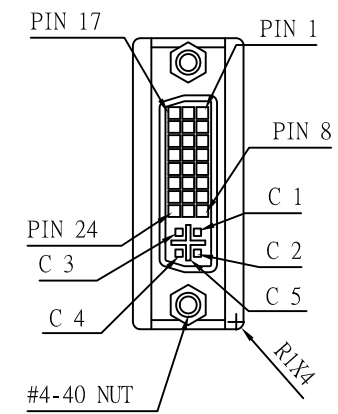
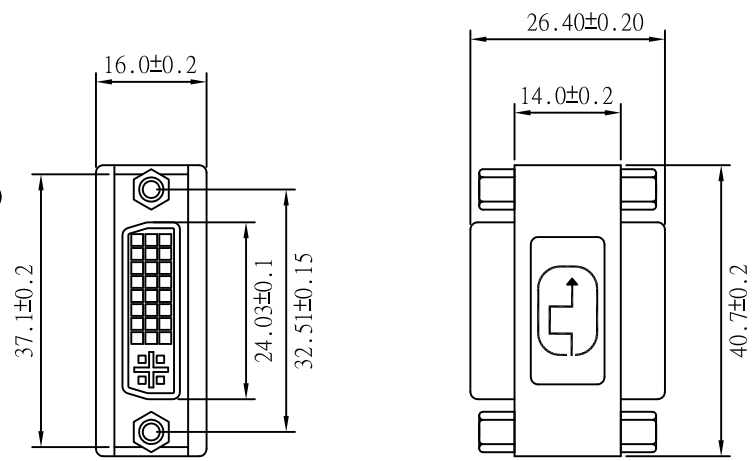
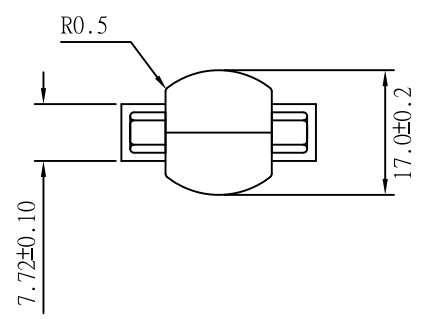
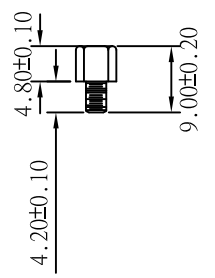


NOTE1.CONTACT FINISH
 CONTACT AREA:GOLD OVER NICKEL PLATED(GOLD:0.1 m MIN)
 TERMINAL AREA:TIN-LEAD PLATED
 MATERIAL:
 HOUSING;HIGH TEMPERATURE THERMPLASTIC UL94V-0.(IVORY,BLACK)
 CONTACT:PHOSPHOR BRONZE,GOLD OVER NICKEL PLATED
 FINISH:TIN-LEAD PLATED
 FORE SHELL:STEEL NICKEL PLATED
 INSULATOR COLOR:WHITE,BLACK
 PCB: KB-6150 (FR-4)
 UL style: E123995
 SPECIFICATION:
 CURRENT RATING: 3 AMP
 DIELECTRIC STRENGTH: 500V AC for one minute
 INSULATOR RESISTANCE: 500M Ω min at 500V DC



DVI29F	DVI29F	DVI29F	DVI29F
1	1	16	16
2	2	17	17
3	3	18	18
4	4	19	19
5	5	20	20
6	6	21	21
7	7	22	22
8	8	23	23
9	9	24	24
10	10	C1	C1
11	11	C2	C2
12	12	C3	C3
13	13	C4	C4
14	14	C5	C5
15	15	SHELL	SHELL



DVIX2-FM_{xx}-2929LF
 LEADFREE
 BG:BEIGE/COLOR
 BK:BLACK/COLOR

RoHS Compliant



PART NO. DVIX2-FM_{xx}-2929

DWG NO. DVIX2-FM_{xx}-2929

FILE NO.

UNIT / mm

SCALE 1:1

CHECKED BY CY

DRAWING BY

PROJECTION

TOLERANCES ARE

.X ± 0.2
 .XX ± 0.1
 .XXX ±
 AWG

DESCRIP TION:

DVI29F/DVI29F ADAPTER

AREA

REVISIONS

HK

DATE

煜倫股份有限公司