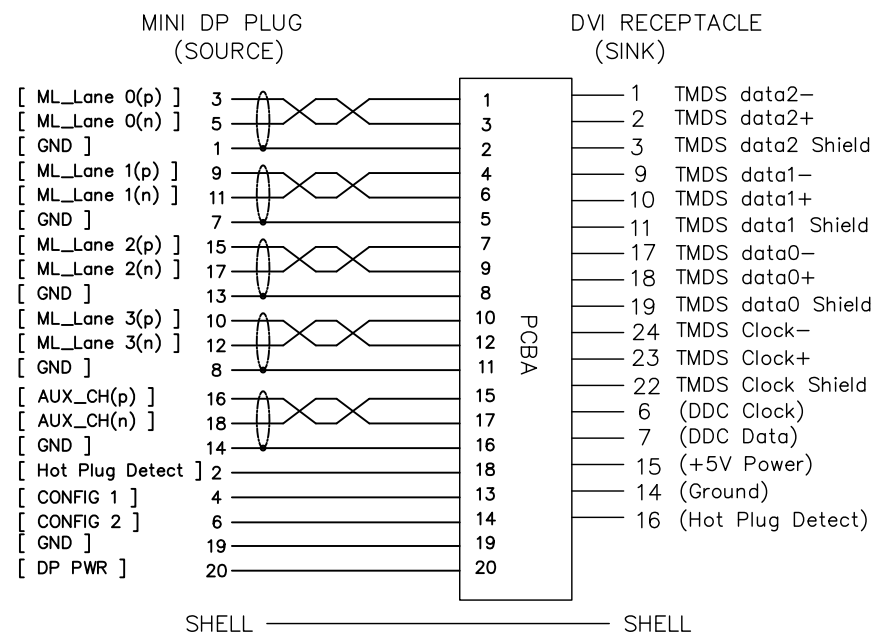


PIN ASSIGNMENT:



- Features:
- . Converts low-swing AC coupled differential input to HDMI rev 1.3 compliant open-drain current steering Rx terminated differential output.
 - . Compliant to VESA Interop Guidelines.
 - . HDMI level shifting operation up to 2.5Gbps per lane(250MHz pixel clock).
 - . Integrated 50-ohm termination resistors for AC-coupled differential inputs.
 - . Enable/Disable feature to turn off TMDS outputs to enter low power state.
 - . I C buffer for ATC DDC Cap test support.
 - . Transparent operation:no re-timing or configuration required.
 - . Level shifter for HPD single from HDMI connector.
 - . Integrated pull-down on HPD_sink input guarantees" input low"when no display is plugged in.
 - . Supports 1080p 60Hz at distance up to 3meters(length for use).

Electrical character:
a. Function Test: by PC and monitor 1080P 60Hz test pass.

DVIMDSP-2520-A15C-LF
LEADFREE

RoHS Compliant

6	OUTER COVER	DVI RECEPTACLE CONNECTOR ABS OUTER COVER	
5	CONNECTOR 2	DVI(24+5) Female Shell Nickel Plated EMPTY 5 PINS W/ PCBA	
4	SR	PVC	
3	OUTER COVER	MINI DP CONNECTOR ABS OUTER COVER	
2	CONNECTOR 1	MINI DP CONNECTOR PLUG Shell Nickel Plated	
1	CABLE	UL20276 DISPLAYPORT CABLE IMPEDANCE:100 Ohm	
NO.	PART NAME	SPEC DESCRIPTION	REMAKE



PART NO. DVIMDSP-1520-A15C		CHECKED BY CY		TOLERANCES ARE .X ± 0.2 .XX ± .XXX ± AWG		DESCRIP TION: Mini DP plug to DVI Receptacle cable									
DWG NO. DVIMDSP-1520-A15C		DRAWING BY													
FILE NO.		PROJECTION		UNIT / mm		SCALE 1:1		AREA		REVISIONS		HK		DATE	
煜倫股份有限公司		PROJECTION													