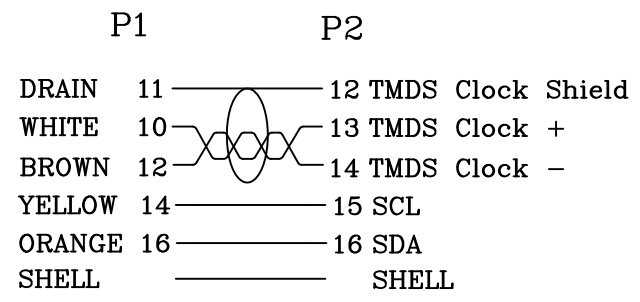
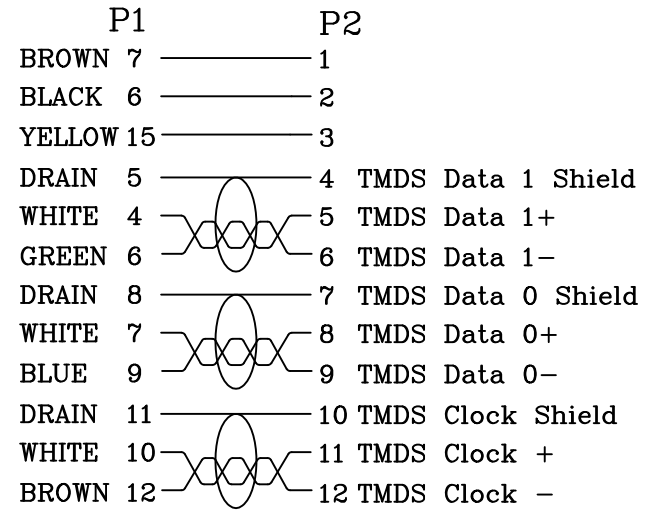


P1 DVI 24+1 MALE
WIRING DIAGRAM

P2 MINI USB 16P MALE



DVIMB-2516-M1M8-LF
LEADFREE
RoHS Compliant

5	PVC	16	G	OVERMOLD:PVC 45P #BLACK UL94V-0
4	PE	5	G	INNERMOLD:PE LOW DENSITY
3	CONNECTOR	1	PCS	DVI MALE
2	CONNECTOR	1	PCS	MINI USB 16P MALE G/OVER
1	CABLE	1/2	PCS	UL20276{[28AWG(7/0.12TS)*1P+AE+MY]*4C+28AWG(7/0.12TS)*5C}+AL+D(7/0.12TS)+B(96/0.12AL)OD:6.5mm #BLACK L:3600mm
NO.	PART NO.	Q'TY	UNITS	DESCRIPTION

MORETHANALL
CONNECTORS
ASSEMBLIES

煜倫股份有限公司

PART NO. DVIMB-2516-M1M8		CHECKED BY CY		TOLERANCES ARE .X ± 0.2 .XX ± .XXX ± AWG		DESCRIP TION:				
DWG NO. DVIMB-2516-M1M8		DRAWING BY								
FILE NO.		PROJECTION		AREA	REVISIONS	HK	DATE			
UNIT / mm	SCALE 1:1									