

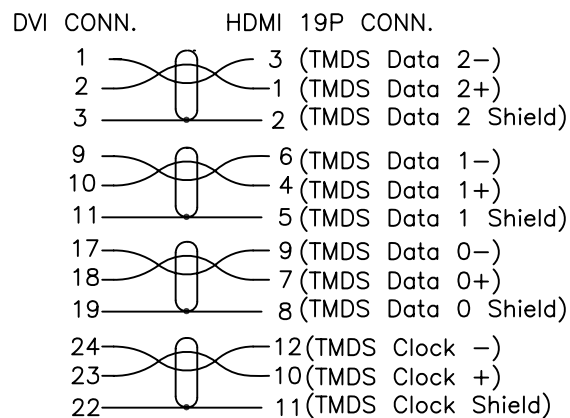
SECTION B-B

DVIHDMI-EMxx-xx19-LF
LEADFREE

RoHS Compliant

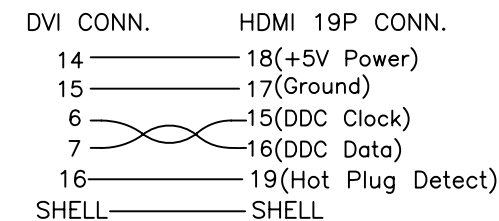
ITEM	PART NAME	SPEC DESCRIPTION	REMARK
9	DUST-PROOF COVER	DVI MALE DUST-PROOF COVER	
8	DUST-PROOF COVER	HDMI FEMALE DUST-PROOF COVER	
7	SCREW	THUMBSCREW: 4#-40UNC.,L=44.8MM.	
6	DVI CONN	DVI CONN. MALE SOLDER FOR MOLDING TYPE CONTACT SELECTIVE PLATED 15u" GOLD	OPTIONAL
5	HDMI CONN	HDMI CONN. 19P A TYPE FEMALE SOLDER TYPE CONTACT SELECTIVE PLATED 30u" GOLD	OPTIONAL
4	PVC	PVC: 45Pa BLACK	OPTIONAL
3	PE	PE LOW DENSITY	
2	WIRE	UL1007 28#(7C/0.127TS) BLACK OD:1.2MM	
1	CABLE	UL20276 28AWG*1PR+DRAIN WIRE+FREE EDGE AL/MYLAR*4+28AWG*1P+28AWG*5C+AL/MYLAR+ BRAID OD: 7.3 BLACK IMPEDANCE:100 Ohm	

PIN ASSIGNMENT:



ELECTRICAL CHARACTER:

- CURRENT RATING: DC 1A
- WITH STANDING VOLTAGE: DC 300V
- INSULATION RESISTANCE: 50Mohm(MIN)
- CONDUCTIVE RESISTANCE: 2 Ohm(MAX)



PART NO. DVIHDMI-EMxx-xx19

DWG NO. DVIHDMI-EMxx-xx19

FILE NO.

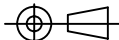
UNIT / mm

SCALE 1:1

CHECKED BY CY

DRAWING BY

PROJECTION



TOLERANCES ARE

.X ± 0.2
.XX ±
.XXX ±
AWG

DESCRIPTION:

HDMI(FEMALE) TO DVI(MALE)
ADAPTER

AREA

REVISIONS

HK

DATE

煜倫股份有限公司