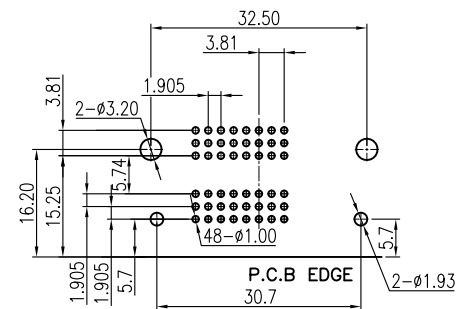
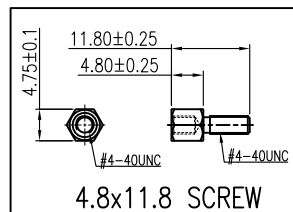
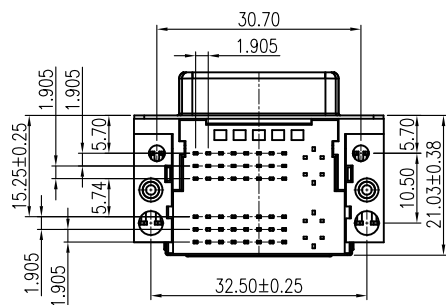


SPECIFICATIONS

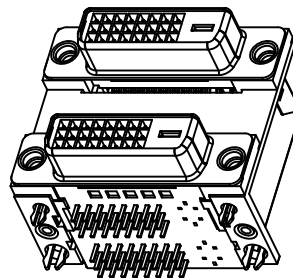
1. DVI
 - 1.1 Voltage: 40 VAC(RMS) Max.
 - 1.2 Current Rating: 1.5 Ampere per Contact
 - 1.3 Contact Resistance(UPPER): 30 Milliohms Max.
Contact Resistance(LOWER): 20 Milliohms Max.
 - 1.4 Insulation Resistance: 1000 Megohms Min.
 - 1.5 Dielectric Withstanding Voltage: 500V DC(RMS)
 - 1.6 Total Mating Force: 4.5 Kgf Max.
 - 1.7 Total Unmating Force: 1.0 Kgf Min.
 - 1.8 Operating Temperature: -55°C to +85°C

NOTES

1. MATERIAL:
 - Housing(UPPER):PBT, UL 94V-0, Color:Ivory.
 - Housing(LOWER):PBT, UL 94V-0, Color:Ivory.
 - Connecting Pedestal:PBT, UL 94V-0, Color:Ivory.
 - Terminal:Copper Alloy.
 - Shell:SPCC.
 - Shield:Stainless Steel.
 - Boardlock:Copper Alloy.
 - Bracket:Zinc Alloy.
 - Screw:Copper Alloy.
2. FINISH:
 - Terminal:Gold Plated over Nickel at Contact Area.
Tin Plated over Nickel at Solder Ared.
 - Shell:Nickel Plated.
 - Boardlock:Tin Plated.
 - Bracket:Nickel Plated.
 - Screw:Nickel Plated.
3. This Product is LEAD-FREE & RoHS Compliance



RECOMMENDED P.C.B. LAYOUT



RoHS Compliant

TOLERANCES ARE

MORETHANALL
PCB CONNECTORS
Cable ASSEMBLIES

DRAWING BY CY
CHECKED BY GENIUS
UNIT / mm SCALE 1 : 1
DATE

X, ±
.X ±
.XX ± 0.25
.XXX ± 0.13
ANG ± 2°

照片框

ORDER INFORMATION

DVIB1-FR20FNH-24+1-LF
SERIES | | | | LEADFREE
FEMALE | | | | NUT+HEX SCREW
FULL METAL
SPACING 20.40mm
DIP90°

www.morethanall.com

SIZE A4 PPROJECTION

DESCRIPTION: DVI-D / DVI-D FEMALE RIGHT ANGLE