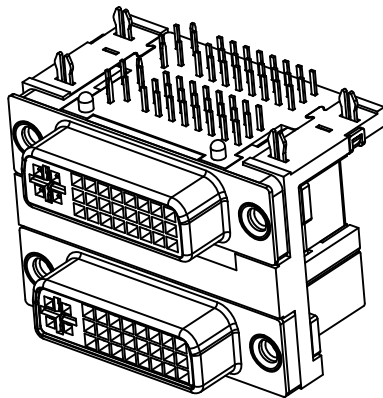
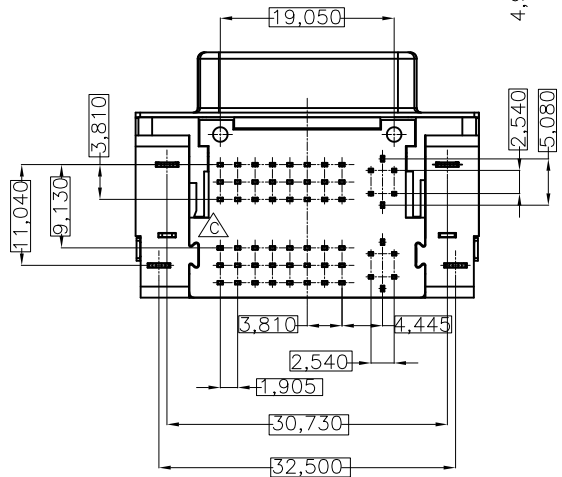


P.C.B LAYOUT
BOTTOM VIEW



NOTES:

SHELL:SPCC,T=0.50mm,NICKEL PLATED,
HOUSING: LCP UL94V-0,COLOR:BLACK
DVI HOUSING: PBT UL94V-0,COLOR:WHITE
CONTACT MATERIAL:PHOSPHOR BRONZE
CONTACT FINISH:GOLD/TIN FINISHED
JACK SCREWS:BRASS MATERIAL,NICKEL FINISHED
WITH 4#-40 THREADED ATTACHED

ELECTRICAL CHARACTERISTICS
CONTACT CURRENT RATING: 5.0 AMPS
CONTACT RESISTANCE: 30m OHMS MAX
DIELECTRIC WITHSTANDING VOLTAGE: 500V AC PER MIN
INSULATION RESISTANCE: 1000M OHMS MIN
TEMPERATURE RATING: -55°C~+105°C
重點標示尺寸: [X X]

RoHS Compliant

TOLERANCES ARE

MORETHANALL
PCB CONNECTORS
Cable ASSEMBLIES

煜倫股份有限公司

www.morethanall.com

DRAWING BY CY

CHECKED BY GENIUS

UNIT / mm SCALE 1 : 1

DATE

SIZE A4

X.±

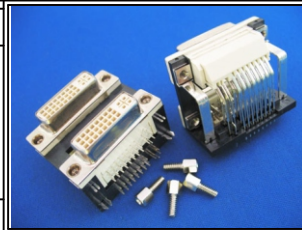
.X±

.XX±

.XXX±

ANG±

PJECTION



ORDER INFORMATION

DVIB1-FR16NH-24+5-LF

SERIES | LEADFREE
24+5 PIN
NUT+HEX SCREW
SPACING 16.70mm
DIP 90°
FEMALE

DESCRIPTION: 雙層 DVI 24+5 附螺絲 RoHS