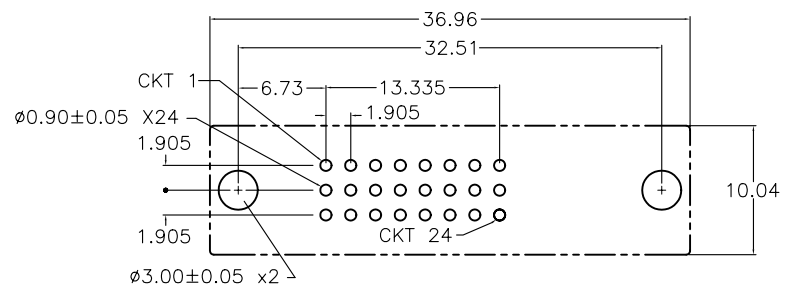
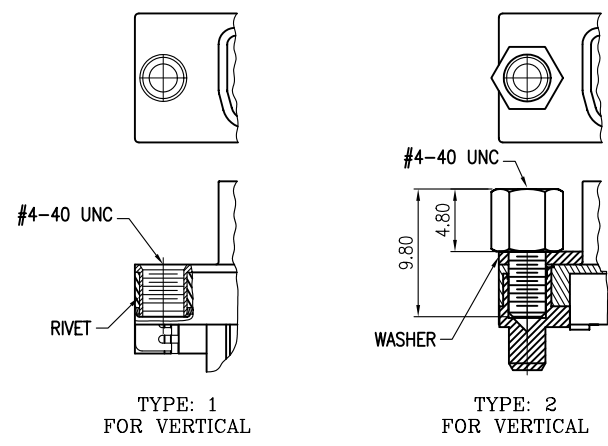


OPTION FOR HEX-NUT <SEE SPECIAL CODE>



RECOMMENDED P.C.B. LAYOUT

1. MATERIALS
 - . INSULATOR: GLASS REINFORCED THERMOPLASTIC UL94V-0.
 - . CONTACT: PHOSPHOR BRONZE.
 - . PLATING: GOLD ON CONTACT AREA AND TIN/LEAD ON SOLDER TAIL ALL WITH NICKEL UNDERPLATING.
 - . METAL BOARD LOCK: COPPER ALLOY WITH TIN PLATING.
 - . SHELL: ZINC ALLOY.
2. ELECTRICAL
 - . VOLTAGE RATING: 250 VAC (R.M.S.)
 - . CURRENT RATING: 1.5 AMP.
 - . INSULATION RESISTANCE: 2000 M Ω MIN.
 - . DIELECTRIC WITHSTANDING VOLTAGE: 500 VAC (R.M.S.)
 - . CONTACT RESISTANCE: 20m Ω MAX. (INITIAL)
3. ENVIRONMENTAL
 - . TEMPERATURE RANGE: -55°C TO +85°C

MORETHANALL
CONNECTORS
ASSEMBLIES

焯倫有限公司

PART NO.	DVI-SS-24+1	CHECKED BY	CY	TOLERANCES ARE	DESCRIPTION:	DVI Socket Conn.Digital, Vertical Type			
DWG NO.	DVI-SS-24+1	DRAWING BY		.X ± 0.2 .XX ± 0.1 .XXX ± 0.01 AWG					
FILE NO.		PROJECTION			AREA	REVISIONS	HK	DATE	
UNIT / mm	SCALE 1:1								