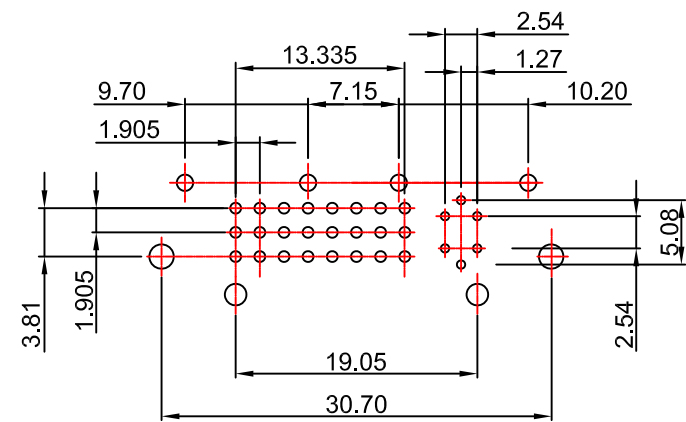
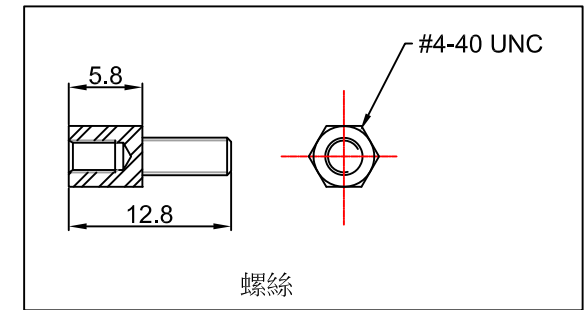


Notes :

1. Contact Resistance : 30mΩ Max.
2. Insulation Resistance : 1000MΩ Min.
3. Dielectric withstanding voltage : 500V AC for 1 Minute.
4. Operating Temperature: -25°C~85°C

No.	Part Name	Specifications	Qt'y
7	螺絲	STEEL, Nickel Plating	2
6	鐵殼	SPCC, Nickel Plating	1
5	魚叉	SPCC, Tin Plating	2
4	鉚釘	Brass, Nickel Plating	2
3	後蓋	Pa66, Nature	1
2	數位端	Brass, Contact : Au 1"u" , Solder : Tin Plating	24
1	本體	PBT, White	1



P.C.B LAYOUT

RoHS Compliant

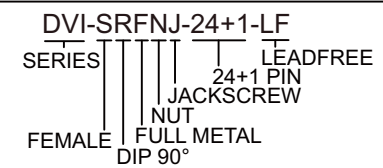
TOLERANCES ARE

**MORETHANALL**  
PCB CONNECTORS  
Cable ASSEMBLIES  
煜倫股份有限公司  
www.morethanall.com

DRAWING BY	CY	X. ± 0.35
CHECKED BY	GENIUS	.X ± 0.30
UNIT / mm	SCALE 1 : 1	.XX ± 0.25
DATE		.XXX ± 0.10
SIZE A4	PJECTION	ANG ±



ORDER INFORMATION



DESCRIPTION: DVI ,F, 24+1 Pin, R/A 平叉式帶四角屏蔽殼, 白色膠芯