

# Electrical:

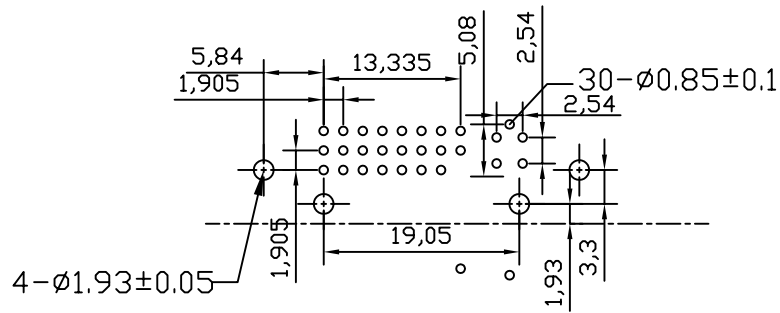
Voltage: 40V

Current: 1.5A

Contact Resistance: 20m max.

Dielectric Withstanding Voltage :500V.

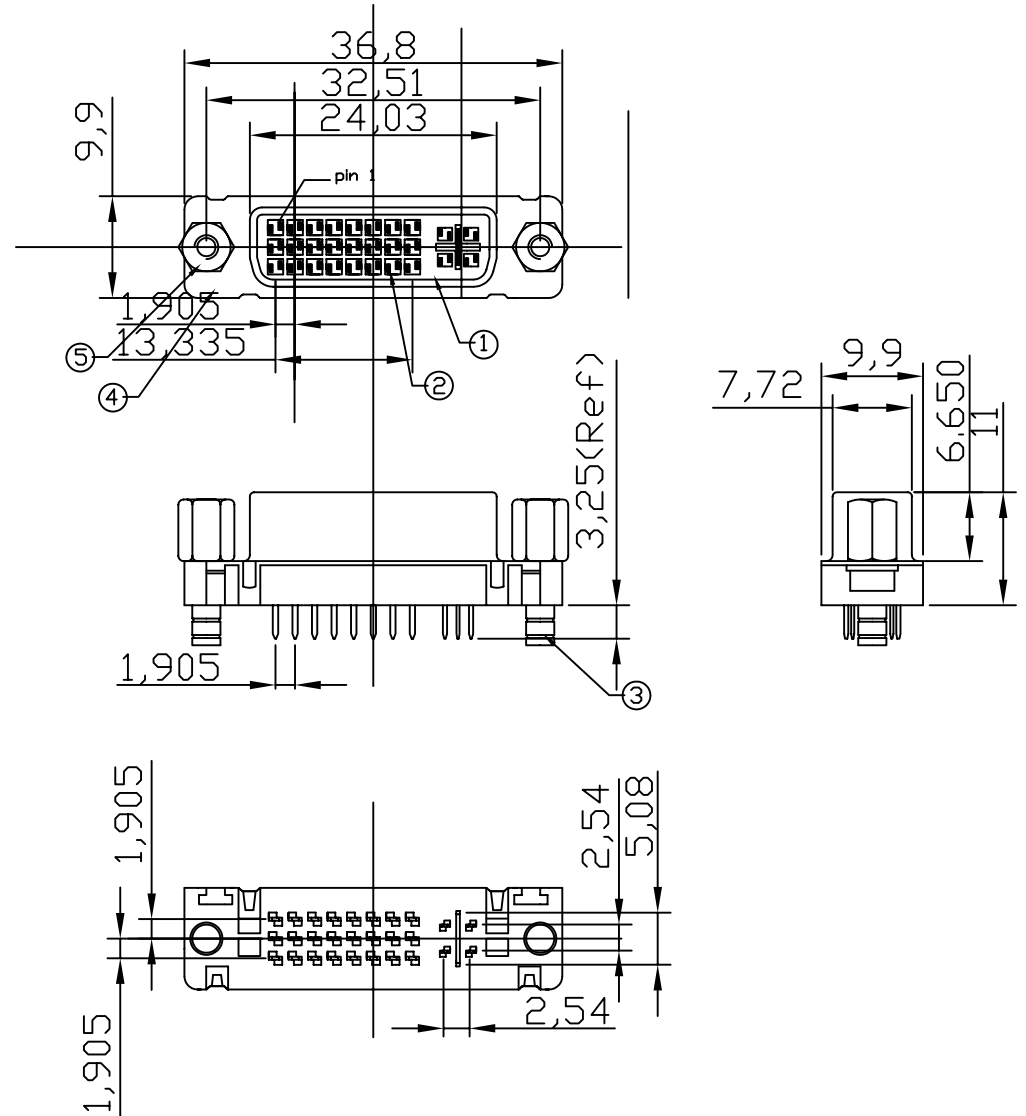
Insulation Resistance :1000 Min.



Recommended PC Board Layout

- 5 HEX NUT STEEL NICKEL PLATED(#4-40UNG)
- 4 SHELL STEEL NICKEL PLATED
- 3 FINISH TIN-LEAD PIATED
- 2 CONTACT PHOSPHOR BRONZE,G/F
- 1 HOUSING HIGH TEMPERATURE THERMOPLASTIC UL94V-0

NO PART NAME DESCRIP TION



**RoHS Compliant**

TOLERANCES ARE

**MORETHANALL**  
PCB CONNECTORS  
Cable ASSEMBLIES

煜倫股份有限公司

www.morethanall.com

DRAWING BY CY

CHECKED BY GENIUS

UNIT / mm SCALE 1 : 1

DATE

SIZE A4

PPOJECTION

X, ±  
.X ± 0.30  
.XX ± 0.20  
.XXX ± 0.10  
ANG ± 1°

照片框

ORDER INFORMATION

DVI-SDNJ-23+5-LF  
SERIES | | | LEADFREE  
| | | 23+5 PIN  
| | | JACKSCRW  
| | | NUT  
| | | DIP 180°  
| | | FEMALE

DESCRIPTION: DVI-D 28PIN 180° CONNECTOR TYPE