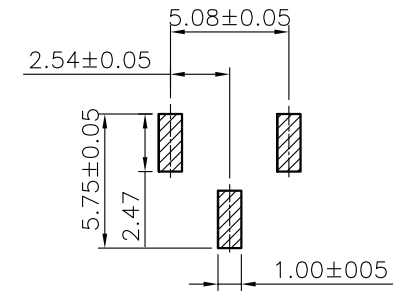
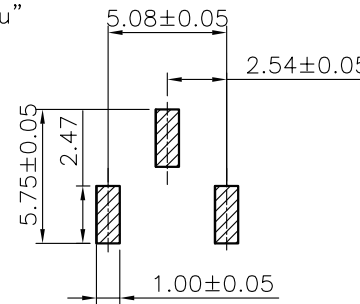
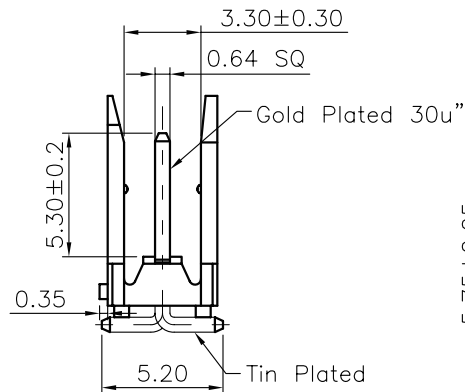
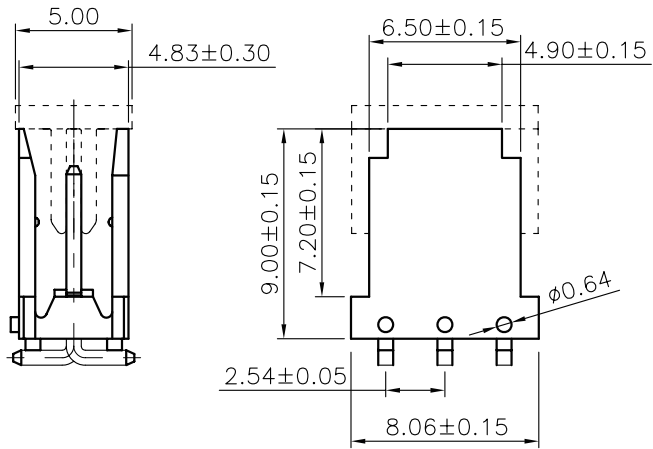
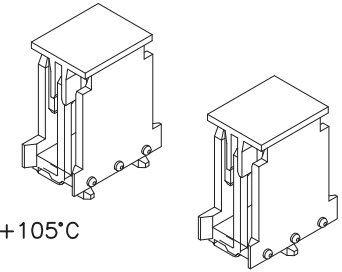


Specifications:
 Current Rating:3.0A AC/DC
 Voltage Rating:250V AC/DC
 Contact Resistance:20m ohm. Max.
 Insulation Resistance:1000M ohm. Min.
 Withstanding Voltage:600V AC/minute
 Operating Temperature Range:-25°C ~ +105°C
 Mechanical Characteristic:
 Retention Force: 1 kgf Min
 Material and Finish
 Insulator:High Temp. Plastic(Nylon46 UL94V-0)
 Insulator Color:Black
 Contact:Brass
 Plating:Selective Gold Plated 30U"
 Soldering Temp Profile:
 IR Reflow Temp:260°C,5Sec max
 Manual Soldering Temp:400°C,3Sec max
 △ Bake Condition:50°C,6hr



L Type

R Type

P.C.B. Layout

RoHS Compliant

TOLERANCES ARE

MORETHANALL
 PCB CONNECTORS
 Cable ASSEMBLIES

DRAWING BY CY
 CHECKED BY GENIUS
 UNIT / mm SCALE 1:1
 DATE

X.±
 .X±
 .XX±
 .XXX±
 ANG ±

照片框

ORDER INFORMATION

DUB-VXS30C-1X03x-LF
 SERIES | LEADFREE
 | L:LEFT FOOT
 | R:RIGHT FOOT
 180°SMT | 03 WAY
 NON POST | CAP SEMI GOLD 30u"

煜倫股份有限公司

www.morethanall.com

SIZE A4 PROJECTION

DESCRIPTION: 2.54mm Wire to Board Wafer Straight Type